

## Assembly Instructions

**Instructions are based on the ELO® Adapt Desk but can be used for any ELO® Desk or Table.**

Before you begin, please make sure all parts and proper quantities are included. (See Part Identifier Key page) Any parts damaged during shipment must be reported within 24 hours of receipt. To report information regarding damages or if you have any questions, please call 800.242.2303.

### Tools Required

- Screw gun
- 4mm Hex bit
- Drill bit extension
- Phillips head screwdriver

### Step 1:

- Place top face down on protected flat surface so threaded inserts are facing up.

### Step 2:

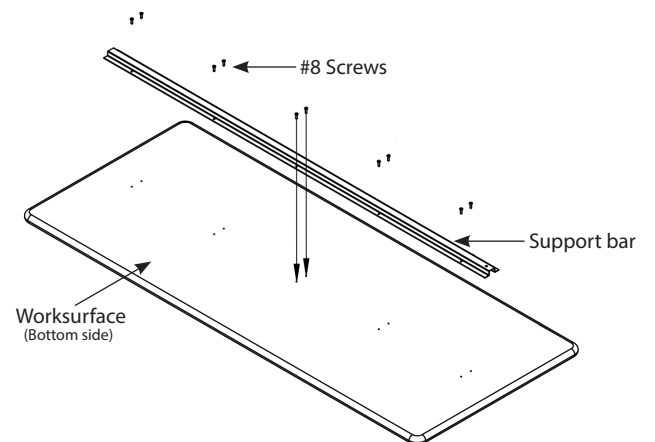
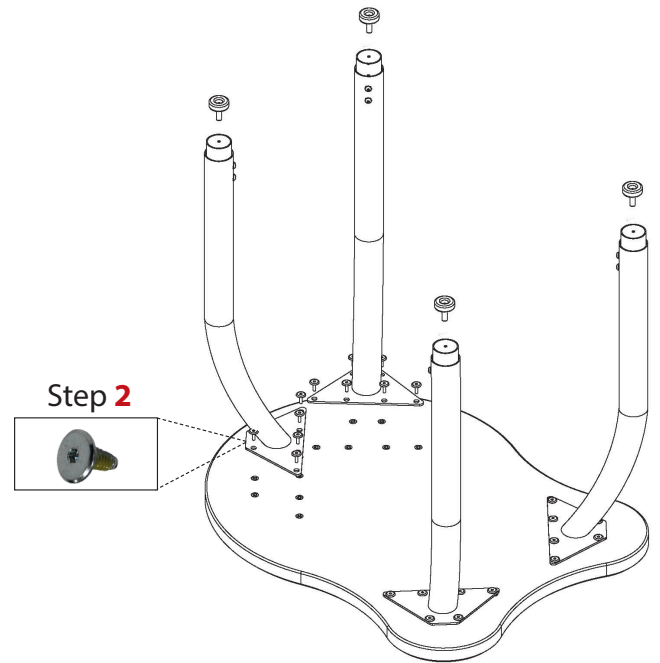
- Align leg(see leg options below) with threaded inserts.
- Connect leg to desktop with the ¼-20x15mm joint connector bolt. Use six bolts for each leg.
- Use a screw gun, 4mm Hex bit and a drill bit extension to tighten the joint connector bolts to the desktop.
- Repeat this for the rest of the legs.

### Step 3:

- Adjust legs to desired height then flip over.

### Step 4:

- If your table requires a support bar/s, align the bar/s with the pre-drilled pilot holes. Use #8x¾" screws to fasten down the support bar to the desktop.



### ELO® Leg Options



## Assembly Instructions for Optional Accessories

**Instructions are based on the ELO<sup>®</sup> Adapt Desk but can be used for any ELO<sup>®</sup> Desk or Table.**

Before you begin, please make sure all parts and proper quantities are included. (See Part Identifier Key page) Any parts damaged during shipment must be reported within 24 hours of receipt. To report information regarding damages or if you have any questions, please call 800.242.2303.

### Tools Required

- 14mm open-ended wrench

#### Step 1:

- Remove Nylon glide from leg by rotating counterclockwise until glide is free.

#### Step 2:

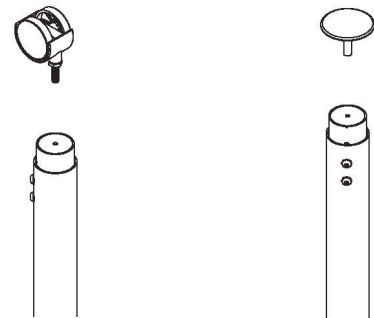
- Place stem of optional footing into the hole on the leg. Rotate clockwise until fully inserted into leg.
- Casters are **NOT** to be used as a leveling device.

#### Step 3:

- Tighten with a 14mm open-ended wrench. (only with the dual wheel caster.)

#### Step 4:

- Repeat for each caster or Grand Hank glide.



## ELO<sup>®</sup> Desk/Table

with Backpack Hook

### Tools Required

- Screw gun
- 4mm Hex bit

#### Step 1:

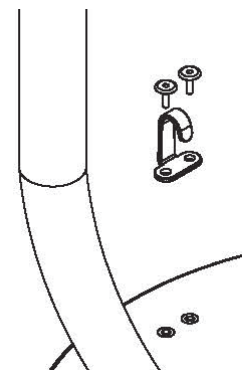
- Place top face down on protected flat surface.

#### Step 2:

- Align tabs of the backpack hook with the metal inserts.

#### Step 3:

- Use ¼-20x15mm joint connector bolts to fasten both of the tabs of the backpack hook to the top.



## Part Identifier Key



### Adjustable Legs

Model #	Smooth Silver	Black	Description	Height"
	Sku #	Sku#		
ELO -ADJ	0400570-G4	0400570	ELO® 1.25" Square Adj. Leg	24.75 - 29.75
ELR -ADJ	04066649-G4	04066649	ELO® 2" Curved Round Adj. Leg	25 - 30
ELS -ADJ	04066821-G4	04066821	ELO® 2" Straight Round Adj. Leg	27 - 40
ELP -ADJ	04066829-G4	N/A	ELO® 2" Straight Round Pin Adj. Leg	25 - 39










### Jr. Adjustable Legs

Model #	Smooth Silver	Black	Description	Height"
	Sku #	Sku#		
ELO -EJA	0400755-G4	0400755	ELO® 1.25" Square Jr. Adj. Leg	20 - 25
ELR -EJA	04066650-G4	04066650	ELO® 2" Curved Round Jr. Adj. Leg	21 - 26
ELS -EJA	04066652-G4	04066652	ELO® 2" Straight Round Jr. Adj. Leg	20 - 33
ELP -EJA	04066785-G4	N/A	ELO® 2" Straight Round Pin Jr. Adj. Leg	19 - 29



### Mini Adjustable Leg

Model #	Smooth Silver	Black	Description	Height"
	Sku #	Sku#		
ELS -MJA	04067425-G4	N/A	ELO® 2" Straight Round Mini Adj. Leg	10.75 - 17.75

Part #	Description	Qty.	
040164	1 3/8 Dia. Grand Hank glides, 3/8-16 x 1"	1 per leg*	
33021BK	Dual wheel casters w/brake	1 per leg*	
04067195	Soft tread casters	1 per leg	
04009308-X1 (black) 04009308-G4 (smooth silver)	Backpack hook <b>(Needs (2) 1/4"-20x15mm Joint Connector bolts)</b>	1	
04009023	1/4"-20x15mm joint connector bolts <b>(Used to fasten leg to top &amp; for Backpack hook)</b>	<ul style="list-style-type: none"> <li>• 6 per leg*</li> <li>• 2 per backpack hook</li> </ul>	
04009377 (42") 04066738 (50") 0407127 (60") 0407118 (72")	Stretcher bar	1 to 2 depending on model	
0404248	#8x3/4" screws <b>(Used to fasten stretcher bar to top)</b>	10	

\*A typical desk/table has 4 legs - see next page for a list of desks and tables that require a support bar/s or 3, 5 or 6 legs.

## Part Identifier Key

Desks	# of Legs
ELO® Connect 4	3
ELO® Diamond	3
ELO® Mini Diamond	3
ELO® Mini Nimubs	3
ELO® Pyramid	3

Rectangle Tables	# of Legs	# of Support Bars
Up to 72" L	4	1
84" & 96" L	6	-

Shaped Tables	# of Legs
ELO® Benton	5
ELO® Delta	5
ELO® Double Delta	6
ELO® Flower	6
ELO® Horseshoe (240)	5
ELO® Horseshoe (244)	5
ELO® Horseshoe (241)	5
ELO® Manta	3
ELO® Nimbus	3
ELO® Tri-	6

Court Tables	# of Legs	# of Support Bars
36"D X (60"L & 72"L)	4	1
36"D X 96"L	5	1
48"D x 96"L	6	1
42"D	5	1
48"D X (60"L, 72"L & 84"L)	5	1
48"D X 96"L	6	1
60"D	5	2