

# Assembly Instructions

Before you begin, please make sure all parts and proper quantities are included. (See Part Identifier Key) Any parts damaged during shipment must be reported within 24 hours of receipt. To report information regarding damages or if you have any questions, please call 800.242.2303.

**Assembling this unit on Step 3 may take up to three people to help hold both left/right legs and another to assemble the modesty panels.**

### Step 1:

- Attach (2) angle brackets to the inner side of the left leg aligning them with the pre-drilled holes using #10x3/4" square pan screws. Tighten with a #2 square drive screw driver or a #2 square bit with a screw gun.
- Repeat this step for the right leg.

### Step 2:

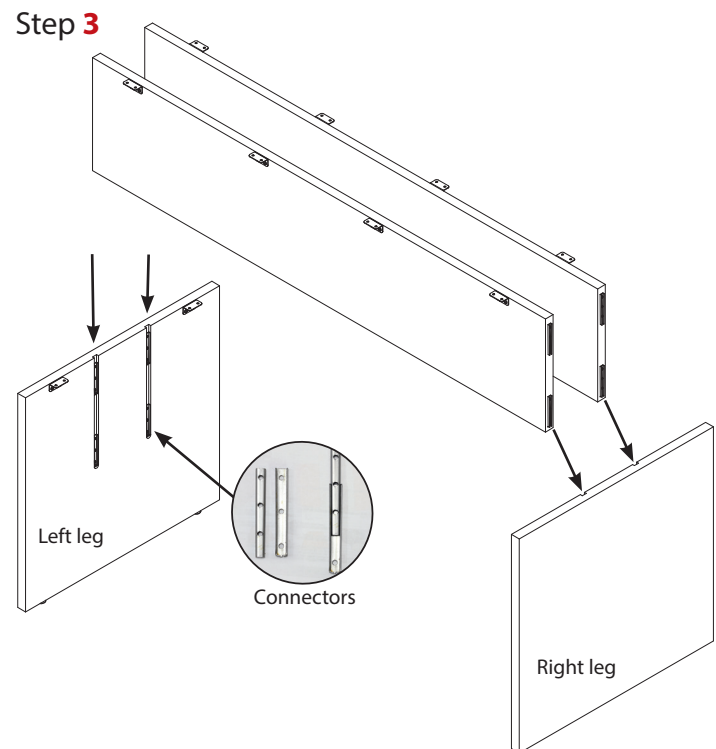
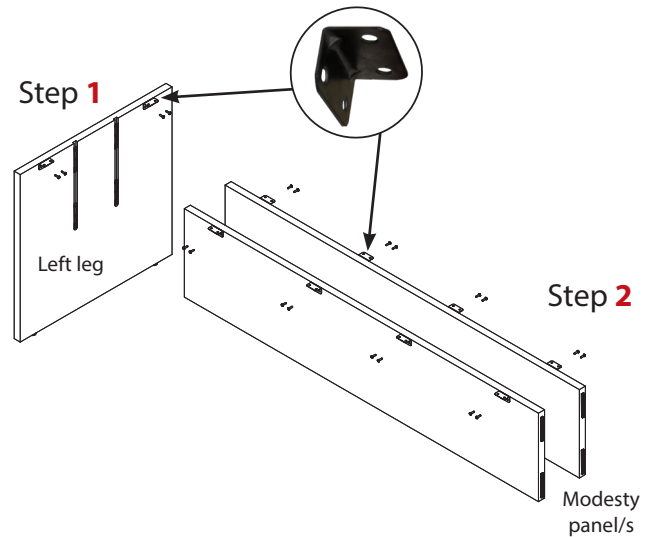
- Attach (4) angle brackets to the outer side of the modesty panel aligning it with the pre-drilled holes using #10x3/4" square pan screws. Tighten with a #2 square drive screw driver or a #2 square bit with a screw gun.
- Repeat this step for the other modesty panel if it's double sided.

### Step 3:

- While one person holding the left leg and another the right one, you will need to align connectors on the left and right ends of the modesty panel with the connectors on the left and right legs. Press down on the modesty panel until it's fully engaged.
- Repeat this step for the other modesty panel if it's double sided.

### Tools Required

- #2 Square drive screw driver OR
- Screw gun
- #2 square bit



## Assembly Instructions

Before you begin, please make sure all parts and proper quantities are included. (See Part Identifier Key) Any parts damaged during shipment must be reported within 24 hours of receipt. To report information regarding damages or if you have any questions, please call 800.242.2303.

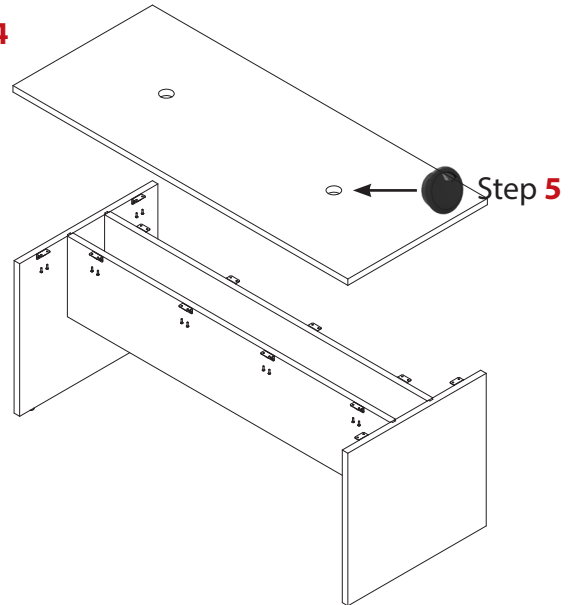
### Step 4:

- Place top on the left/right legs and modesty panel/s. Align bottom of the top that have the pre-drilled holes to the brackets that are located on the legs and modesty panel/s. Attach the brackets to the top with (2) #10x3/4" square pan screws per bracket. Tighten with a #2 square drive screw driver or a #2 square bit with a screw gun.

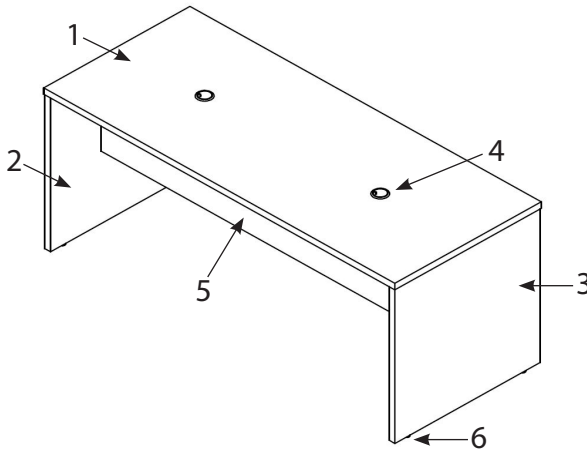
### Step 5:

- Place cable grommets into the holes located on the laminate top.

### Step 4

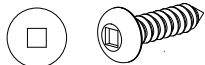




## Part Identifier Key



### Item # Description

| Item # | Description        |
|--------|--------------------|
| 1      | Laminate top       |
| 2      | Left leg           |
| 3      | Right leg          |
| 4      | Cable grommet hole |
| 5      | Modesty panel      |
| 6      | Base leveler       |

| Part #  | Description   | Qty.  |   |
|---------|---|-------|---|
| 0406711 | #10x3/4" black square pan screw<br><i>(Used on angle brackets-brackets)</i> | 48    |  |
| 0406829 | 27mm x 27mm x 50mm angle brackets   | 12    |  |
| 0406659 | 2 3/8" cable grommet <i>(Used on modesty panel)</i>                         | 1     |  |
| 0406658 | 3 1/8" cable grommet <i>(Used on right, left or center legs)</i>            | 1 - 2 |   |