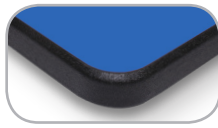


Elevate 2-Student Table specifications

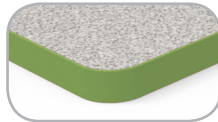
Lotz Armor Edge™ Tops:

Lotz Armor Edge™ top is constructed of 1.125" thick MDF (medium density fiberboard) core. MDF is a superior material for screw holding abilities exceeding 250 lbs., breaking strength and load tests. The back material is phenolic which **prevents moisture penetration** to core material and provides an anti gum surface. High pressure laminate is bonded to the **MDF core**. The .25" beveled radius edge is finished using our exclusive Lotz Armor Edge™, a polyurea, which is extremely strong and durable. **This edge will not separate from the MDF core material and makes the edge water tight.** Lotz Armor Edge™ comes black standard. Colors available.



3mm Tops:

The core material is 1.125" thick particle board with a phenolic backer sheet and high pressure laminate on top. 3mm PVC edge banding is applied to all sides, radius corners.



Optional top surface choices include **writable surface laminate or chemical resistant laminate** and most Wilsonart matte (-60) finish laminates with possible up charges. Other vendors available upon request.

Butcher Block Tops:

Hardwood: 1.25" thick face-glued hardwood strips with 0.125" radius all corners/edges with two coats catalyzed clear lacquer top and sides with one clear coat bottom with eased edges and corners.



Shipping Class: 70

NMFC: Tops: 83620-2 Legs: 097720

Assembly: Unassembled

Standard Features:



2.5" Grand Hank glide (-HG)



Dual wheel soft tread locking caster (-CA)

Optional Features:



1.25" Soft Touch glide (-FG)



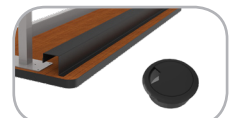
Markerboard Top (-__MB)



Plastic handle



Power modules (See catalog for module selections)



Metal Wire Management (-WM) OR Grommets (-GR)

Base:

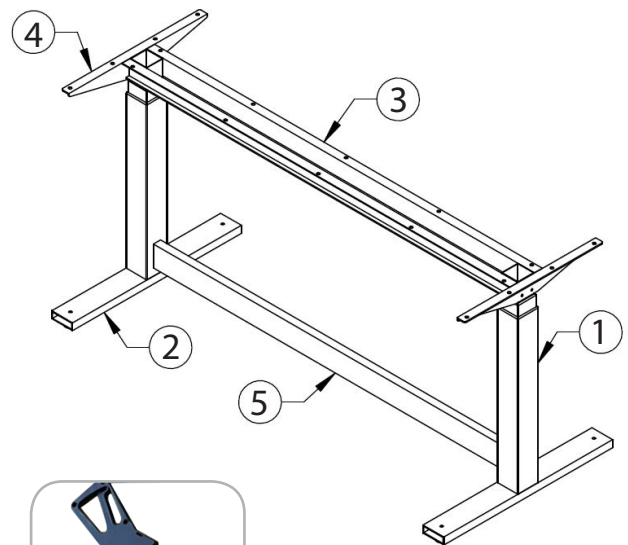
The Elevate table consist of two pneumatic 150N columns ① (300N total for the table, N stands for Newton), a 1" x 3" 10-gauge lower support bar ⑤ and a 11-gauge upper support bar ③. The two pneumatic columns and the lower support bar are fully MIG welded together and the upper support bar is bolted to the column. The upper support bar is secured to the top with joint connector bolts into metal-to-metal threaded inserts. The two 10-gauge bases ② are attached to the two pneumatic columns using cap bolts, washers and lock washers. There are two, 11-gauge support brackets ④ that are bolted to the pneumatic column with joint connector bolts and also are secured to the top using the same bolts but going into metal-to-metal threaded inserts.

Table comes standard with 4 dual wheel locking casters AND 4, 2.5" Grand Hank Glides.

There is a plastic handle that attaches to the bottom of the top, 1" from the edge so it is easily accessible to adjust the table to different heights.

Finish:

Base only has a choice of a smooth silver finish.



Elevate 2-Student Table specifications

NEW

Available May 2020!



Elevate Rectangle 2-Student Table



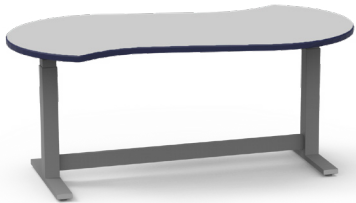
<i>Lotz AE™ Top</i>	<i>AE™ Wgt</i>	<i>3mm Top</i>	<i>3mm Wgt</i>	<i>Description (2 legs)</i>	<i>Top D" x L"</i>	<i>Table H" w/Grand Hank Glides</i>	<i>Table H" w/Casters</i>
PNT7071-ADJ	118	PNT6071-ADJ	115	Elevate Rectangle	24 x 60	27.56 - 40.56	29.56 - 42.56



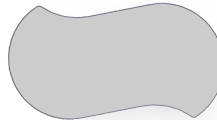
Elevate Court 2-Student Table



<i>Lotz AE™ Top</i>	<i>AE™ Wgt</i>	<i>3mm Top</i>	<i>3mm Wgt</i>	<i>Description (2 legs)</i>	<i>Top D" x L"</i>	<i>Table H" w/Grand Hank Glides</i>	<i>Table H" w/Casters</i>
PNT7389-ADJ	135	PNT6389-ADJ	132	Elevate Court	30 x 64	27.56 - 40.56	29.56 - 42.56



Elevate Mini Spooner 2-Student Table



<i>Lotz AE™ Top</i>	<i>AE™ Wgt</i>	<i>3mm Top</i>	<i>3mm Wgt</i>	<i>Description (2 legs)</i>	<i>Top D" x L"</i>	<i>Table H" w/Grand Hank Glides</i>	<i>Table H" w/Casters</i>
PNT7835-ADJ	148	PNT6835-ADJ	144	Elevate Mini Spooner	36 x 68	27.56 - 40.56	29.56 - 42.56



Elevate Rectangle 2-Student Table w/ Hardwood 1.25" Top



<i>Hardwood Top</i>	<i>Wgt</i>	<i>Description (2 legs)</i>	<i>Top Thickness"</i>	<i>Top D" x L"</i>	<i>Table H" w/Grand Hank Glides</i>	<i>Table H" w/Casters</i>
PNT9071-ADJ	115	Elevate Rectangle	1.25	24 x 60	27.56 - 40.56	29.56 - 42.56