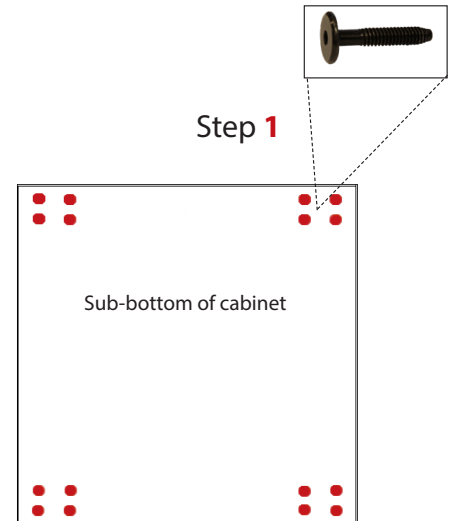


Assembly Instructions

Before you begin, please make sure all parts and proper quantities are included. (See Part Identifier Key on next page) Any parts damaged during shipment must be reported within 24 hours of receipt. To report information regarding damages or if you have any questions, please call 800.242.2303.

Step 1:

- Place base cabinet on it's side on a protected flat surface.
- Align caster with the pre-drilled inserts. (See image to the right; pre-drilled inserts are marked in red as an example for assembly instruction ONLY.)
- Use the ¼-20x25mm joint connector bolts to attach casters to the base cabinet.
- Repeat for each of the four casters.



Step 2:

- With someone's help, position the cabinet right side up. Make sure to have the two locking casters' levers pushed down to secure cabinet in place.

Step 3:

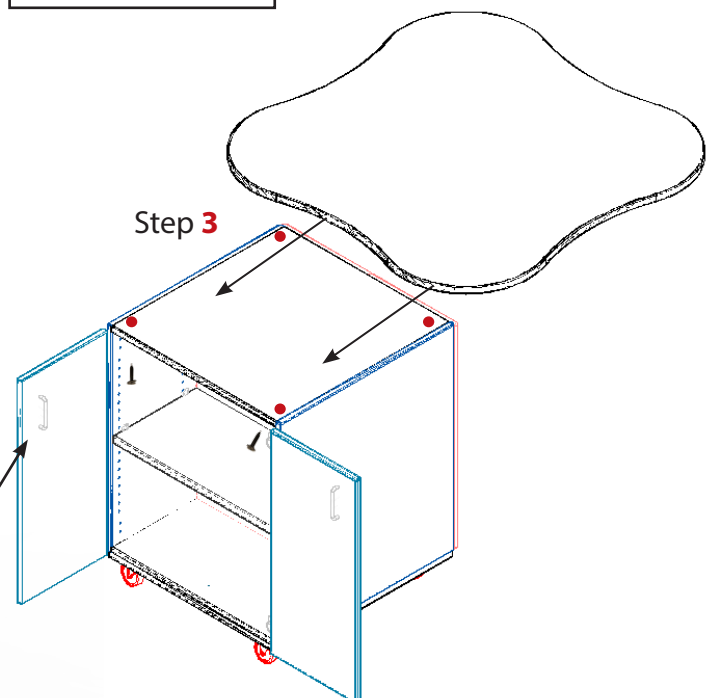
- Place top on base cabinet and align with the pre-drilled inserts.
- Using the ¼-20x35mm joint connector bolts, insert the 1st bolt through the pre-drilled inserts up into the top going through the inside of the base cabinet. Use a 4mm Allen wrench or 4mm Hex bit and a screw gun to fasten the bolt into place.
- After the first bolt is fastened, proceed to the back of the cabinet, on the opposite side, to attach the second bolt.
- Repeat these steps for the remaining two sides.

Tools Required

- 4mm Allen wrench OR
- 4mm Hex bit
- Drill extension
- Screw gun

Step 4:

- Wire pulls are factory installed on the inside of door to prevent damage in transit.
- Unscrew each wire pull handle using a Phillips drill bit and a screw gun.
- Reattach with wire pull on the outside of the cabinet.
- Repeat for each of the wire pulls.







Urban Edge/Urban Edge XL



CLW7252-323236-AC

V031919 subject to change.

Part Identifier Key (Cast1)

Part #	Description	Qty.	
0400484	3" heavy duty plate casters w/ out brake	2	
0400485	3" heavy duty plate casters w/ brake	2	
04066947	¼-20x25mm joint connector bolt (black) <i>(Used to apply casters)</i>	16	
0406686-WO	¼-20x35mm joint connector bolt (black) <i>(Used to attach base cabinet to top)</i>	4	

These Assembly Instructions can be used for the below products.

Urban Edge/Urban Edge XL



CLW7252-323236-AC

Reflection



CLW7254-630036-AC

Susie/Susie XL



CLW6192-141436-AC

Square Cube/Square Cube XL



CLW6107-818136-AC

3D Printer Station*



SSP2009-AC

*If top is shipped assembled, discard extra hardware.