

## Assembly Instructions

Before you begin, please make sure all parts and proper quantities are included. (See Part Identifier Key) Any parts damaged during shipment must be reported within 24 hours of receipt. To report information regarding damages or if you have any questions, please call 800.242.2303.

### Step 1:

- Place table top face down on protected surface so threaded inserts are facing up.

### Step 2:

- Remove all the parts for the Flip table from the box.
- Place the mechanism on the Flip table top making sure you align with threaded inserts. (If you are installing the Handle Flip style, you will need to open the mechanism up, see image A)
- Using a 4mm Allen wrench or 4mm Hex bit, secure mechanism to table top with 10-24x1" or ¼-20x15mm joint connector bolts. (See part identifier key for type of bolt needed for the base type.)

### Step 3:

- If installing Handle Flip Mechanism (see image A), you will need to attach mechanism to base plate of the column with hardware found in the box.

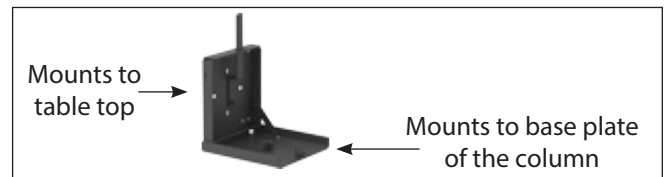
### Step 4:

- If feet are not attached to column, follow Instructions that were included in the box to assembly them together.

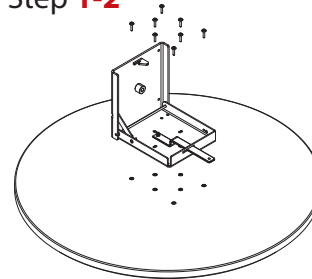
### Step 5:

- With someone's help, turn table upright.

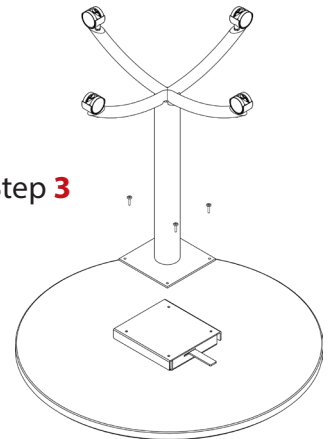
### A Handle Flip Mechanism



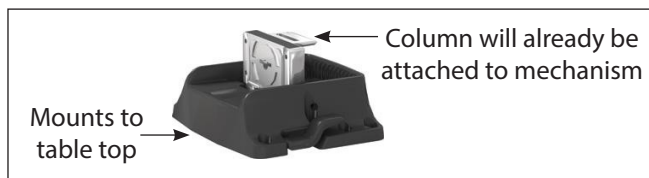
### Step 1-2



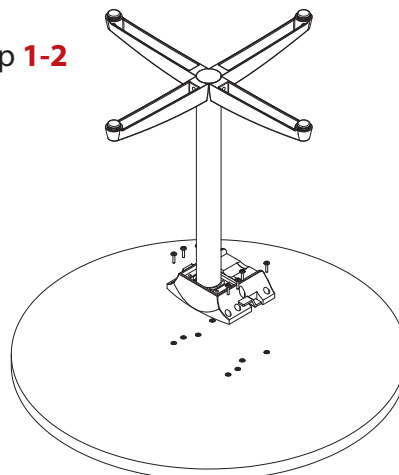
### Step 3



### B Flip-n-Fold Mechanism



### Step 1-2





### Tools Required

- Screw gun
- 4mm Allen wrench OR
- 4mm Hex bit


## Part Identifier Key

### Tubular T-Bases

Table Dia"	Base #	Base Part #:	Bolt Type <i>(Used to attach mechanism (bases plate) to top)</i>	Bolt Part #	Qty.		Type of Mechanism
30 & 36	FTC7526	0401320	10-24x1" joint connecor bolts	0401158	8		Handle Flip
48	FTC7538	04009320	¼-20x15mm joint connecor bolts	04009023	12		Handle Flip





### Arch X-Bases

Table Dia"	Base #	Base Part #:	Bolt Type <i>(Used to attach mechanism (bases plate) to top)</i>	Bolt Part #	Qty.		Type of Mechanism
30 & 36	FTC7326	04067202	10-24x1" joint connecor bolts	0401158	8		Handle Flip





### DuraCast X-Bases

Table Dia"	Base #	Base Part #:	Bolt Type <i>(Used to attach mechanism (bases plate) to top)</i>	Bolt Part #	Qty.		Type of Mechanism
30" & 36	FTC5226	04066856	10-24x1" joint connecor bolts	0401158	12		Flip-n-Fold
48	FTC5238	040171	¼-20x15mm joint connecor bolts	04009023	12		Handle Flip



### DuraCast Nesting X-Bases

Table Dia"	Base #	Base Part #:	Bolt Type <i>(Used to attach mechanism (bases plate) to top)</i>	Bolt Part #	Qty.		Type of Mechanism
30	C5326		10-24x1" joint connecor bolts	0401158	12		Flip-n-Fold
36	C5333		10-24x1" joint connecor bolts	0401158	12		Flip-n-Fold

