

### Lotz Armor Edge™ Tops:

Lotz Armor Edge™ top is constructed of 1.125" thick MDF (medium density fiberboard) core. MDF is a superior material for screw holding abilities exceeding 250 lbs., breaking strength and load tests. The back material is phenolic which **prevents moisture penetration** to core material and provides an anti gum surface. High pressure laminate is bonded to the MDF core. The .25" beveled radius edge is finished using our exclusive Lotz Armor Edge™, a polyurea, which is extremely strong and durable. **This edge will not separate from the MDF core material and makes the edge water tight.** Armor Edge comes black standard. Colors available.



### 3mm Tops:

The core material is 1.125" thick particle board with a phenolic backer sheet and high pressure laminate on top. 3mm PVC edge banding is applied to all four sides, radius corners.



Optional top surface choices include **whiteboard laminate** and most Wilsonart matte (-60) finish laminates with possible upcharges. Other vendors available upon request.

**Shipping Class:** 70  
**NMFC:** 83640



Wire Basket (-LW) (optional)



Full Color tote tray (optional) (can interchange with tote storage unit) (See catalog for color selection)



Glide & Tilt® tote tray storage (optional) (can be interchanged with Tote Storage Unit) (-TB)



Steel book box (-LB) (optional)



2.5" Grand Hank Glide (optional) (-HG)



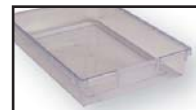
Adjustable leg insert with 2 tamper resistant screws



Spanner bars available in multiple lengths



Dual wheel locking casters (optional) (-CA)



Glide & Tilt® tote tray storage (optional) (can be interchanged with Tote Storage Unit) (-TB)

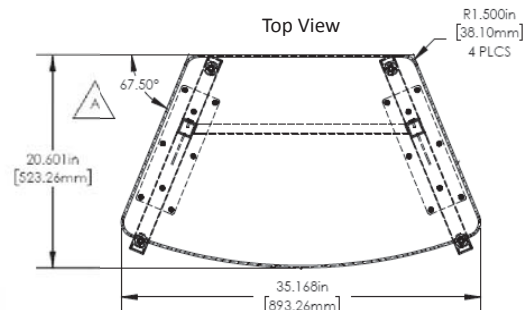


Steel book box (-LB) (optional)



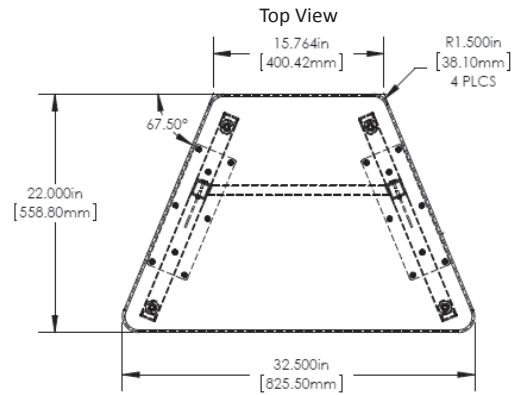
2.5" Grand Hank Glide (optional) (-HG)

## UNE-T Ocho Desk



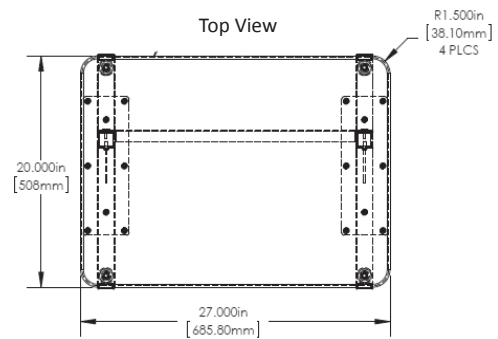
AE Top	3mm Top	Description	Top DxL	Desk H
UNE7500-ADJ	UNE6500-ADJ	UNE-T Ocho	21" x 35"	22.25"-31.25"

## UNE-T Connect 8 Desk



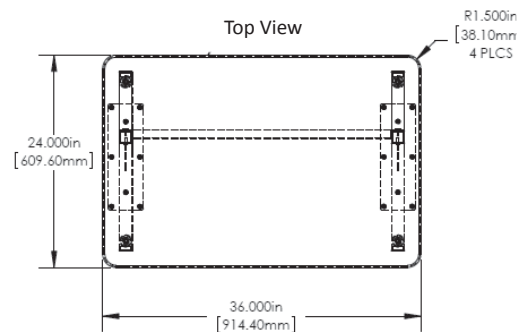
<i>AE Top</i>	<i>3mm Top</i>	<i>Description</i>	<i>Top DxL</i>	<i>Desk H</i>
UNE7215-ADJ	UNE6215-ADJ	UNE-T Connect 8	22" x 32.5"	22.25"-31.25"

## UNE-T Plymouath Desk\*



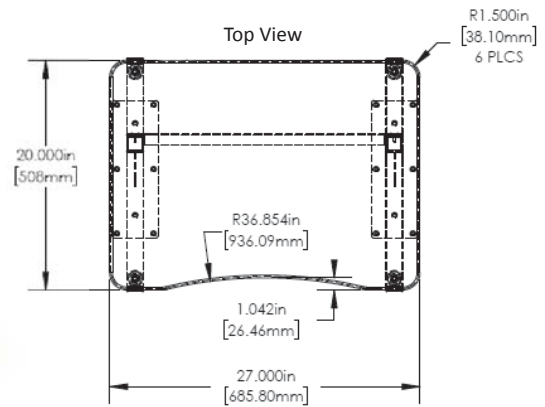
<i>AE Top</i>	<i>3mm Top</i>	<i>Description</i>	<i>Top DxL</i>	<i>Desk H</i>
UNE7362-ADJ	UNE6362-ADJ	UNE-T Plymouath	20" x 27"	22.25"-31.25"
UNE7064-ADJ	UNE6064-ADJ	UNE-T Plymouath	20" x 36"	22.25"-31.25"
UNE7145-ADJ	UNE6145-ADJ	UNE-T Plymouath	24" x 27"	22.25"-31.25"

## UNE-T Plymouath XL Desk



<i>AE Top</i>	<i>3mm Top</i>	<i>Description</i>	<i>Top DxL</i>	<i>Desk H</i>
UNE7067-ADJ	UNE6067ADJ	UNE-T Plymouath XL	24" x 36"	22.25"-31.25"

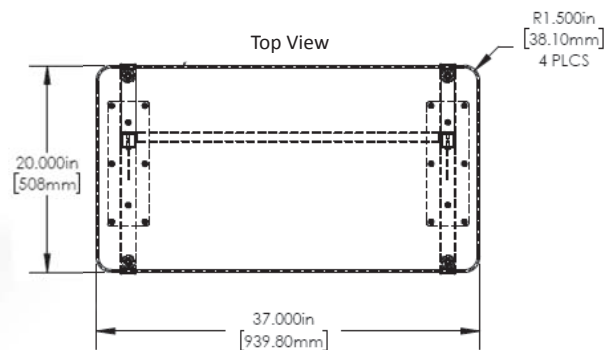
## UNE-T Plymouth II Desk\*



<i>AE Top</i>	<i>3mm Top</i>	<i>Description</i>	<i>Top DxL</i>	<i>Desk H</i>
UNE7363-ADJ	UNE6363-ADJ	UNE-T Plymouth II	20" x 27"	22.25"-31.25"

\*Also available as a Stand Up Desk, please See WB Mfg UNE-T Stand Up Desk Specifications.

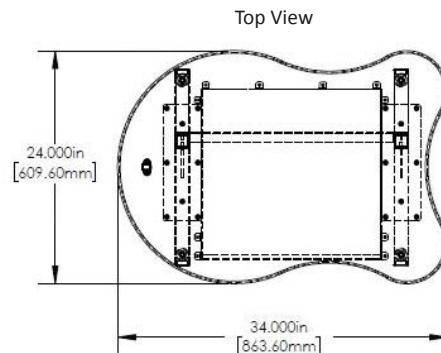
## UNE-T ADA Desk\*\*



<i>AE Top</i>	<i>3mm Top</i>	<i>Description</i>	<i>Top DxL</i>	<i>Desk H</i>
UNE7142-ADJ	UNE6142-ADJ	UNE-T ADA	20" x 37"	22.25"-31.25"

\*\*UNE-T ADA Compliant Desks: UNE7142 and UNE6142 ONLY

## UNE-T Adapt Desk



<i>AE Top</i>	<i>3mm Top</i>	<i>Description</i>	<i>Top DxL</i>	<i>Desk H</i>
UNE7610-ADJ	UNE6610-ADJ	UNE-T Adapt	24" x 34"	22.25"-31.25"

# UNE-T Stand Up Desk specifications

### Lotz Armor Edge™ Tops:

Lotz Armor Edge™ top is constructed of 1.125" thick MDF (medium density fiberboard) core. MDF is a superior material for screw holding abilities exceeding 250 lbs., breaking strength and load tests. The back material is phenolic which **prevents moisture penetration** to core material and provides an anti gum surface. High pressure laminate is bonded to the **MDF core**. The .25" beveled radius edge is finished using our exclusive Lotz Armor Edge™, a polyurea, which is extremely strong and durable. **This edge will not separate from the MDF core material and makes the edge water tight.** Lotz Armor Edge™ comes black standard. Colors available.



### 3mm Tops:

The core material is 1.125" thick particle board with a phenolic backer sheet and high pressure laminate on top. 3mm PVC edge banding is applied to all four sides, radius corners.



Optional top surface choices include **whiteboard laminate** and most Wilsonart matte (-60) finish laminates with possible upcharges. Other vendors available upon request.

**Shipping Class:** 70  
**NMFC:** 83640

### Standard Options:



Adjustable leg insert with 2 tamper resistant screws



Spanner bars available in multiple lengths



2.5" Grand Hank Glide (Standard) (-HG)

### Legs:

The UNE-T adjustable legs are 1.25" square, 15-gauge steel tube with fully welded 10-gauge mounting plate. Legs attach to desk with 16 metal-to-metal inserts and joint connector bolts. The lower leg section is fabricated to fit into the upper 1.25" square, 15-gauge leg assembly. Adjustment pieces are connected to the upper leg with two drilled holes and then screwed into the punch holes of the lower leg for positive contact and safety with adjustability in 1" increments. Use M6-1x14 screws. Legs are only available with the powder-coated smooth silver finish. Legs are fitted with a 2.5" Grand Hank Glide with a 3/8"-16x1" stem, nickle shell and black base.

Leg Identifier	Leg Description	Leg Height	Desk Height
-ADJSUF	UNE-T Adjustable Stand Up Leg	32" - 41"	33.25" - 42.25"

### Connector Bar:

1x2" 14-gauge steel tube with 14-gauge mounting tabs. Connected to legs with 1/4"-20x15mm joint connector bolts.

### Footrest Bar(required):

1x2" 14-gauge steel tube with 14-gauge mounting tabs. Connect to legs with M6-1x14 Joint Screw. Sprayed with a coat of black Lotz Armor Edge™.

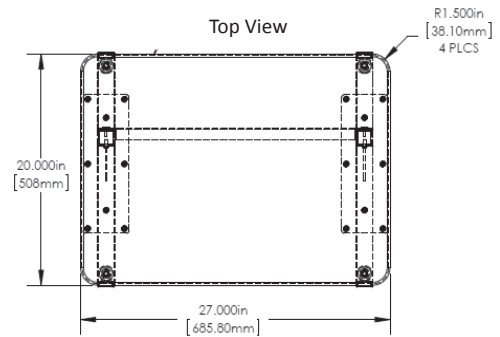
### Frame Color:



Smooth Silver (standard) (-G4)

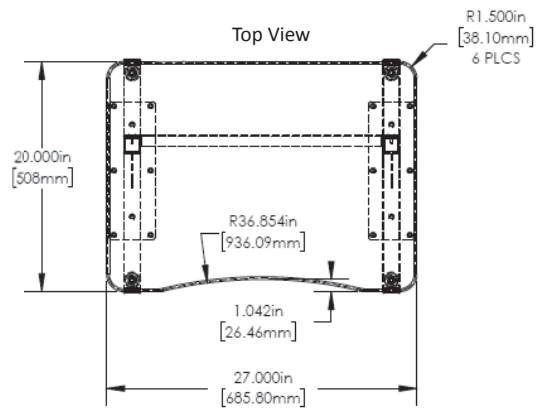
# UNE-T Stand Up Desk specifications

## UNE-T Plymouth Stand Up Desk



<i>AE Top</i>	<i>3mm Top</i>	<i>Description</i>	<i>Top DxL</i>	<i>Desk H</i>
UNE7362-ADJSUF	UNE6362-ADJSUF	Stand Up, UNE-T Plymouth	20" x 27"	33.25"-42.25"

## UNE-T Plymouth II Stand Up Desk

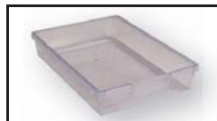


<i>AE Top</i>	<i>3mm Top</i>	<i>Description</i>	<i>Top DxL</i>	<i>Desk H</i>
UNE7363-ADJSUF	UNE6363-ADJSUF	Stand Up, UNE-T Plymouth II	20" x 27"	33.25"-42.25"

### Optional Features:



Steel book box (-LB)



Clear View tote tray (can interchange with tote storage unit) (-TB)



Full Color tote tray (can interchange with tote storage unit) (See catalog for color selection)



Wire Basket (-LW)



Backpack hook



Dual wheel locking casters (-CA)