



Assembly Instructions

Tomah Workstations

These assembly instructions are based on model # CLW7092-326040-AC. They can be used for all Tomah workstations.

Before you begin, please make sure all parts and proper quantities are included. (See Part Identifier Key) Any parts damaged during shipment must be reported within 24 hours of receipt. To report information regarding damages or if you have any questions, please call 800.242.2303.

Step 1:

- With someone's help, place cabinet upside down on a protected flat surface with it's sub-bottom facing up. (Upon installer's discretion, remove doors, shelving & drawers before turning cabinet over to lessen the weight of the cabinets.)
- Locate caster base and center it on the cabinet with threaded inserts facing up.
- Using #2 square bit, attach caster base to the cabinet using #10 1½" square-drive flat head screws. (See image to the right; pre-drilled pilot holes are marked in red as an example for assembly instructions ONLY.)

Step 2:

- Align caster with the threaded inserts. (See image to the right; threaded inserts are marked in red to help you find the correct locations and are for illustrative purposes ONLY.)
- Use the ¼"-20x25mm joint connector bolts to attach caster to the cabinet.
- Repeat for the remaining casters

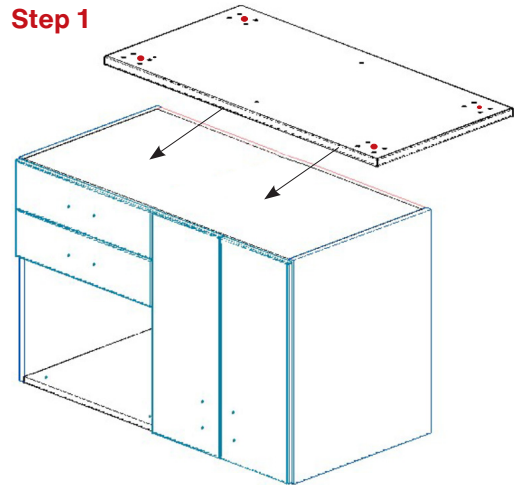
Step 3:

- With someone's help, position the cabinet right side up. Make sure to have the two locking casters' levers pushed down to secure cabinet in place.

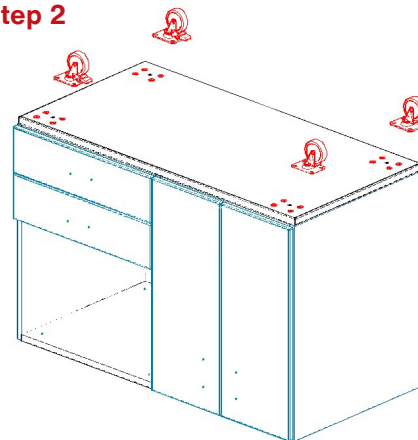
Step 4:

- Place top on cabinet. Align pre-drilled holes on the cabinet with threaded inserts in the top.
- Using a ¼"-20x30mm joint connector bolt, insert the bolt through the pre-drilled hole up into the threaded insert of the top. Use a 4mm Allen wrench or 4mm hex bit and a screw gun to fasten the bolt into place.
- After the first bolt is fastened, proceed attaching the remaining bolts in the cabinet.

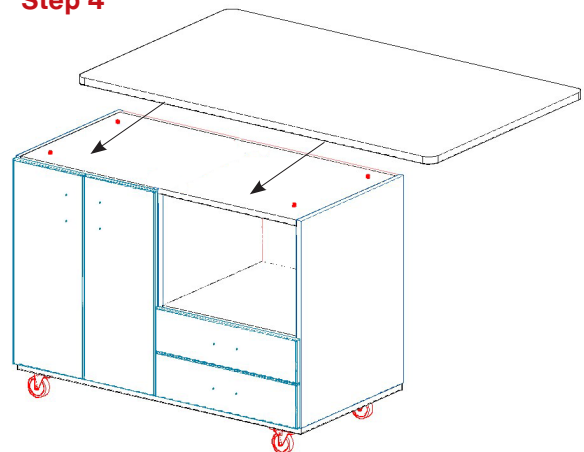
Step 1



Step 2



Step 4



Tools Required

- 4mm Allen wrench OR
- 4mm hex bit
- Drill extension
- Phillips drill bit
- Screw gun
- #2 square bit

Step 5:







- If shelving, doors, and drawers were removed, place them back in/on the cabinet. Start first with drawers, shelving next and then attach the doors.

Step 6:

- Wire pulls are factory installed on the inside of door/s and or drawer/s to prevent damage in transit. (If you have a base cabinet with double doors, use the clear tab to open the doors.)
- Unscrew each wire pull handle using a Phillips drill bit and a screw gun.
- Reattach wire pull on the outside of the cabinet using the hardware provided.
- If cabinet has double doors, please remove clear tab on door.



Part Identifier Key

Part #	Description	Qty.	
0400236	1/4"-20x30mm joint connector bolt w/ loctite <i>(Used to attach 2 base cabinets together)</i>	4	
0404229	1/4" -20x17mm joint connector nut <i>(Used to attach 2 base cabinets together)</i>	4	
040681	#10 1 1/2" square-drive flat head screw for wood <i>(Used to attach caster base to the 2 base cabinets)</i>	6	
0400484	3" heavy duty plate casters w/ out brake	2	
0400485	3" heavy duty plate casters w/ brake	2	
04066947	1/4"-20x25mm joint connector bolt <i>(Used to apply casters)</i>	16	
0400236	1/4"-20x30mm joint connector bolt <i>(Used to attach base cabinet to top)</i>	8	