

Assembly Instructions

Before you begin, please make sure all parts and proper quantities are included. (See Part Identifier Key) Any parts damaged during shipment must be reported within 24 hours of receipt. To report information regarding damages or if you have any questions, please call 800.242.2303.

Step 1:

- If assembling a Hardwood top that has a depth greater than 36", top will be in 2 pieces (.5" undersized on length). Place both top halves face down on a protected flat surface. Align together the dog bone holes on both tops.

Step 2:

- Adjust Tite joint fastener to the size of the field joint opening and then place the fastener into each opening. Using a $\frac{7}{16}$ " wrench, tighten each fastener so that both tops are securely clamped together.

Step 3:

- Place LOBO frame tabs down on top of the LOBO top and align with pre-drilled pilot holes.

Step 4:

- Starting at one corner, place the $\frac{5}{16}$ " bolt that is welded to leg through corner support brace of frame.

Step 5:

- Using a # R2 square bit, secure the leg plate to the tabletop with #10 x $\frac{3}{4}$ " square pan screws. Repeat for each leg plate.

Step 6:

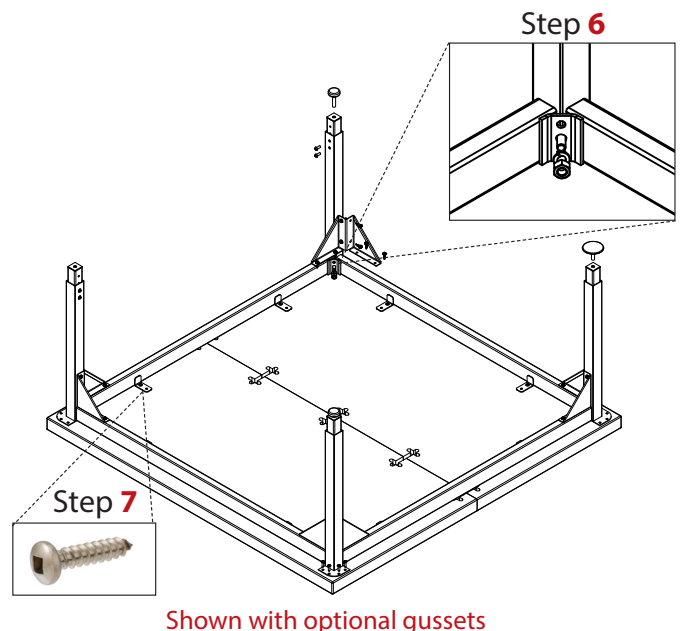
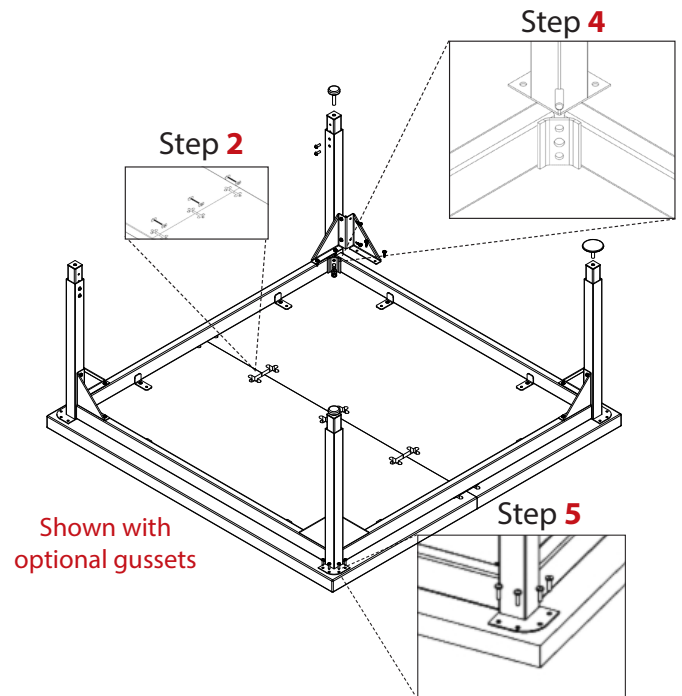
- Place the $\frac{5}{16}$ " lock washer and $\frac{5}{16}$ " hex nut onto the leg bolt and tighten with $\frac{1}{2}$ " wrench. Repeat **Steps 4 & 5** on remaining legs.

Step 7:

- Using a # R2 square bit, secure frame to table top with #10 x $\frac{3}{4}$ " Square pan screws. One screw per tab.

Step 8:




- With someone's help, turn table upright.




Tools Required

- $\frac{1}{2}$ " Wrench
- $\frac{7}{16}$ " Wrench
- Screw gun
- # R2 Square bit

Part Identifier Key

Part #	Description	Qty.	
0406902	Tite joint fasteners	# depends on top size	
0408231	#10 x 3/4" Square pan screws <i>(Used to attach leg plates to hardwood top)</i> <i>(Used to attach frame to hardwood top)</i>	26 <i>(Included in Hardware Pack located in leg box. May need less depending on size and work service)</i>	
Hardware Pack 040379	5/16" Lock washers 5/16" Hex nuts <i>(Used to attach legs to frame)</i>	4 4	

3" Heavy Duty Caster Hardware Pack (04066968) Used only with 2" adj. legs (-ALR & -ABP)

Part #	Description	Qty.	
04067460	1/4" Star washers	4 per set	
04067064	M6 1x18 screws <i>(Used in leg insert to prevent bending of the leg insert)</i>	4 per set <i>(Included in Hardware Pack located in leg box as standard. Discard if casters are not installed.)</i>	

3" Heavy Duty Caster Hardware Pack (0402020) Used only with 1.5" adj. legs (-ADJ)

Part #	Description	Qty.	
04067460	1/4" Star washers	4 per set	
0401259	M6 1x14 screws <i>(Used in leg insert to prevent bending of the leg insert)</i>	4 per set <i>(Included in Hardware Pack located in leg box as standard. Discard if casters are not installed.)</i>	



LOBO Legs

Adjustable Legs

Model #	Smooth Silver Sku #	Black Sku#	Description	Weight	Height"
LOB -ADJ	0409195-G4	0409195	LOBO 1.5" (40mm) Square Adj. Leg	18	22 - 36.6
LOB -ALR	0409193-G4	0409193	LOBO 2" (50mm) Round Adj. Leg	20	22.25 - 36.25
LOB -ABP	N/A	0409196	LOBO 2" (50mm) Big Paw Sq. Adj. Leg	20	22.25 - 36.25

Fixed Legs

Model #	Smooth Silver Sku #	Black Sku#	Description	Weight	Height"
LOB -FX	0409194-G4	0409194	LOBO 1.5" (40mm) Square Fixed Leg	16	28.5