

## Assembly Instructions

Before you begin, please make sure all parts and proper quantities are included. (See Part Identifier Key on next page) Any parts damaged during shipment must be reported within 24 hours of receipt. To report information regarding damages or if you have any questions, please call 800.242.2303.

### Step 1:

- If assembling a Hardwood top that has a depth greater than 36", top will be in 2 pieces (.5" undersized on length). Place both top halves face down on a protected flat surface. Align together the dog bone holes on both tops.

### Step 2:

- Adjust joint connector bolts to the size of the cut outs and then place the bolt into that cut out. Using a  $\frac{7}{16}$ " wrench, tighten the bolt. Repeat for each bolt.

### Step 3:

- Place LOBO frame tabs down on top of the LOBO top and align with pre-drilled pilot holes.

### Step 4:

- Starting at one corner, place the  $\frac{5}{16}$ " bolt that is welded to leg through corner support brace of frame.

### Step 5:

- Using a # R2 square bit, secure the leg plate to the tabletop with #10 x  $\frac{3}{4}$ " square pan screws. Repeat for each leg plate.

### Step 6:

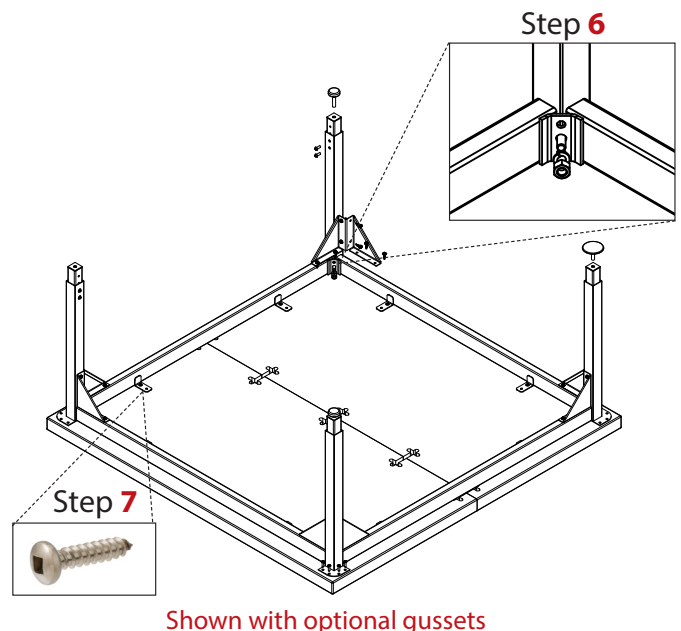
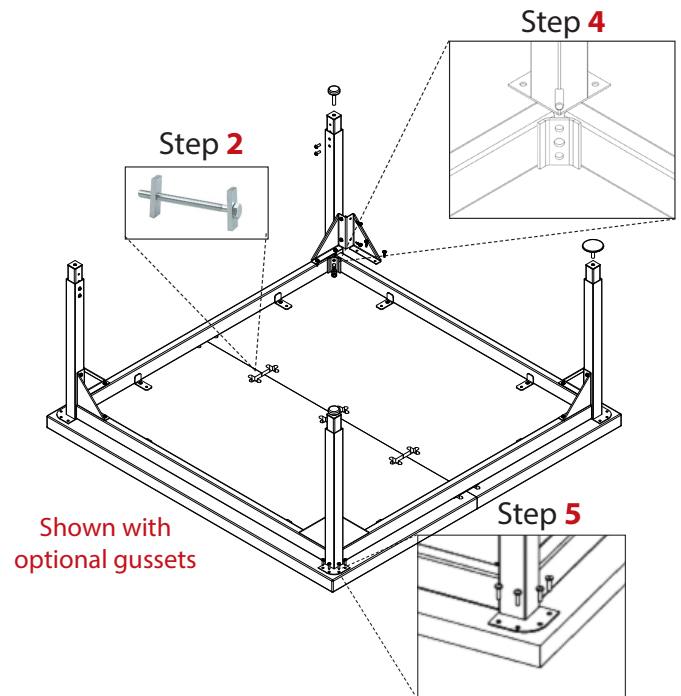
- Place the  $\frac{5}{16}$ " lock washer and  $\frac{5}{16}$ " hex nut onto the leg bolt and tighten with  $\frac{1}{2}$ " wrench. Repeat **Steps 4 & 5** on remaining legs.

### Step 7:

- Using a # R2 square bit, secure frame to table top with #10 x  $\frac{3}{4}$ " Square pan screws. One screw per tab.

### Step 8:




- With someone's help, turn table upright.




### Tools Required

- $\frac{1}{2}$ " Wrench
- Screw Gun
- # R2 Square Bit


### Part Identifier Key

Part #	Description	Qty.	
0406902	Joint connector bolts	# depends on size	
0408231	#10 x 3/4" Square pan screws <i>(Used to attach leg plates to hardwood top)</i> <i>(Used to attach frame to hardwood top)</i>	26 <i>(Included in Hardware Pack located in leg box. May need less depending on size and work service)</i>	
Hardware Pack 040379	5/16" Lock washers 5/16" Hex nuts <i>(Used to attach legs to frame)</i>	4 4	

### 3" Heavy Duty Caster Hardware Pack (04066968) Used only with 2" adj. legs (-ALR & -ABP)

Part #	Description	Qty.	
04067460	1/4" Star washers	4 per set	
04067064	M6 1x18 screws <i>(Used in leg insert to prevent bending of the leg insert)</i>	4 per set <i>(Included in Hardware Pack located in leg box as standard. Discard if casters are not installed.)</i>	

### 3" Heavy Duty Caster Hardware Pack (0402020) Used only with 1.5" adj. legs (-ADJ)

Part #	Description	Qty.	
04067460	1/4" Star washers	4 per set	
0401259	M6 1x14 screws <i>(Used in leg insert to prevent bending of the leg insert)</i>	4 per set <i>(Included in Hardware Pack located in leg box as standard. Discard if casters are not installed.)</i>	



## LOBO Legs

### Adjustable Legs

Model #	Smooth Silver Sku #	Black Sku#	Description	Weight	Height"
LOB -ADJ	0409195-G4	0409195	LOBO 1.5" (40mm) Square Adj. Leg	18	22 - 36.6
LOB -ALR	0409193-G4	0409193	LOBO 2" (50mm) Round Adj. Leg	20	22.25 - 36.25
LOB -ABP	N/A	0409196	LOBO 2" (50mm) Big Paw Sq. Adj. Leg	20	22.25 - 36.25

### Fixed Legs

Model #	Smooth Silver Sku #	Black Sku#	Description	Weight	Height"
LOB -FX	0409194-G4	0409194	LOBO 1.5" (40mm) Square Fixed Leg	16	28.5

## Assembly Instructions

Before you begin, please make sure all parts and proper quantities are included. (See Part Identifier Key below) Any parts damaged during shipment must be reported within 24 hours of receipt. To report information regarding damages or if you have any questions, please call 800.242.2303.

### Step 1:

- Make sure that legs are fully installed and adjusted to the correct height.

### Step 2:

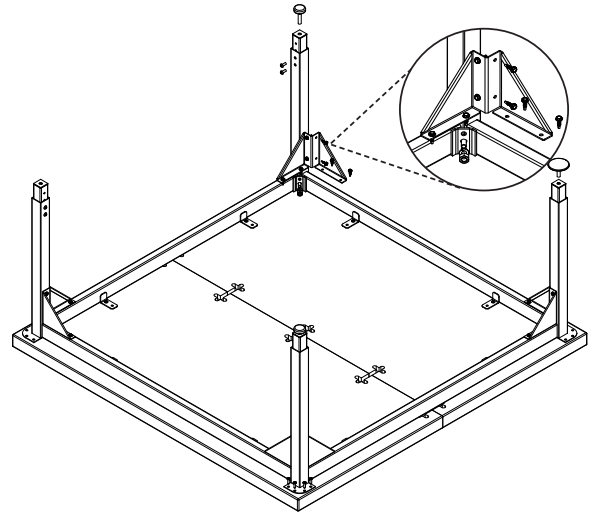
- Place gusset in corner where leg and frame meet. Use a rubber mallet to tap the #10 self-drilling screws into place.

### Step 3:

- Using a screw gun along with a 5/16" hex bit to finish fastening the gussets to the leg and frame with the #10 self-drilling screws.



### Step 4:

- Repeat for remaining gussets.





## Part Identifier Key

### Gussets w/ Hardware Pack (04066920) Used only with square LOBO legs

Part #	Description	Qty.	
04009742	#10 Self-drilling screws	8 per gusset	
04066920	Gusset for square legs	1 per leg	

### Gussets w/ Hardware Pack (04066918) Used only with round LOBO legs

Part #	Description	Qty.	
04009742	#10 Self-drilling screws	8 per gusset	
04066918	Gusset for square legs	1 per leg	

### Tools Required

- Screw Gun
- 5/16" Hex Bit
- Rubber Mallet

## Assembly Instructions

Before you begin, please make sure all parts and proper quantities are included. (See Part Identifier Key below) Any parts damaged during shipment must be reported within 24 hours of receipt. To report information regarding damages or if you have any questions, please call 800.242.2303.

### Step 1:

- Remove Nylon glide from leg by rotating counterclockwise until glide is free.

### Step 2:

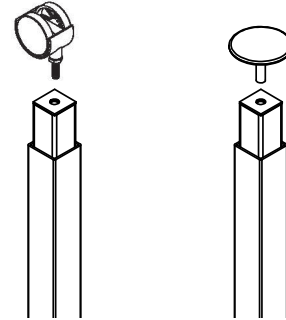
- Place stem of optional footing into the hole on the leg. Rotate clockwise until fully inserted into leg.
- Casters are **NOT** to be used as a leveling device.

### Step 3:

- Tighten with a ½" wrench. (only with the Dual Wheel caster.)

### Step 4:

- Repeat for each caster or Grand Hank glide.






**Installing casters on tables with epoxy resin tops will void the Epoxy warranty.**

## Part Identifier Key

### Tools Required

- ½" Wrench

Part #	Description	Qty.	
040164	1⅜ Dia. Grand Hank glide, ⅜-16 x 1"	1 per leg	
33021BK	Dual wheel casters w/brake	1 per leg	
04067195	Soft tread caster	1 per leg	



## LOBO Legs

### Adjustable Legs

Model #	Smooth Silver	Black	Description	Weight	Height"
	Sku #	Sku#			
LOB -ADJ	0409195-G4	0409195	LOBO 1.5" (40mm) Square Adj. Leg	18	22 - 36.6
LOB -ALR	0409193-G4	0409193	LOBO 2" (50mm) Round Adj. Leg	20	22.25 - 36.25
LOB -ABP	N/A	0409196	LOBO 2" (50mm) Big Paw Sq. Adj. Leg	20	22.25 - 36.25

### Fixed Legs

Model #	Smooth Silver	Black	Description	Weight	Height"
	Sku #	Sku#			
LOB -FX	0409194-G4	0409194	LOBO 1.5" (40mm) Square Fixed Leg	16	28.5

## Assembly Instructions

Before you begin, please make sure all parts and proper quantities are included. (See Part Identifier Key below) Any parts damaged during shipment must be reported within 24 hours of receipt. To report information regarding damages or if you have any questions, please call 800.242.2303.

### Step 1:

- Twist the stem of the caster into the hole on the bottom of the leg. Applying thread locking adhesive can help prevent unexpected loosening of the caster.

### Step 2:

- Lock the caster by pushing up on the brake lever.
- Castors are **NOT** to be used as a leveling device.

### Step 3:

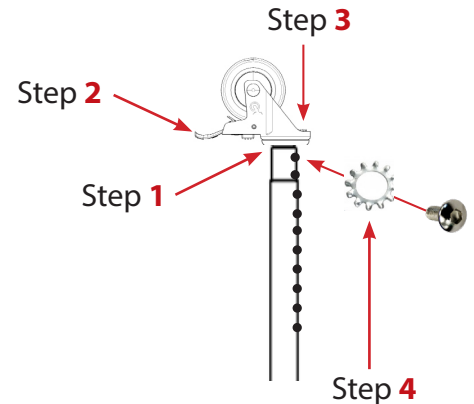
- Use  $\frac{3}{4}$ " wrench to tighten  $\frac{3}{4}$ " nut on stem of caster.

### Step 4:

- If using adj. legs, insert star washer and M6 screw in hole closest to the caster and tighten with 4mm hex wrench. **DO NOT OVER TIGHTEN.**
- If using a **FIXED** leg, you will **NOT** need to use a star washer and M6 screw.

### Step 5:

- Repeat for remaining casters.




#### Tools Required


- $\frac{3}{4}$ " Wrench
- 4mm Hex Wrench
- Thread Locking Adhesive (optional)

**Installing casters on tables with epoxy resin tops will void the Epoxy warranty.**

## Part Identifier Key

Part #	Description	Qty.	
0400993	3" heavy duty locking casters	1 per leg	

#### 3" Heavy Duty Caster Hardware Pack (04066968) Used only with 2" adj. legs (-ALR & -ABP)

Part #	Description	Qty.	
04067460	$\frac{1}{4}$ " Star washers	4 per set	
04067064	M6 1x18 screws	4 per set	
<i>(Used in leg insert to prevent bending of the leg insert)</i>		(Included in Hardware Pack located in leg box)	

#### 3" Heavy Duty Caster Hardware Pack (0402020) Used only with 1.5" adj. legs (-ADJ)

Part #	Description	Qty.	
04067460	$\frac{1}{4}$ " Star washers	4 per set	
0401259	M6 1x14 screws	4 per set	
<i>(Used in leg insert to prevent bending of the leg insert)</i>		(Included in Hardware Pack located in leg box)	