

Assembly Instructions

Before you begin, please make sure all parts and proper quantities are included. (See Part Identifier Key) Any parts damaged during shipment must be reported within 24 hours of receipt. To report information regarding damages or if you have any questions, please call 800.242.2303.

Step 1:

- Place the LOBO frame on a protected flat surface.

Step 2:

- Starting at one corner, place the $\frac{5}{16}$ " bolt that is welded to leg through corner support brace of frame.

Step 3:

- Place the $\frac{5}{16}$ " lock washer and $\frac{5}{16}$ " hex nut onto the leg bolt and tighten with $\frac{1}{2}$ " wrench. Repeat **Steps 2 & 3** on remaining legs.
- Adjust leg to desired height.

Step 4:

- Turn frame (with legs attached) upright.
- Place the LOBO Epoxy **TOP** face down on a protected flat surface next to the completed LOBO frame.

Step 5:

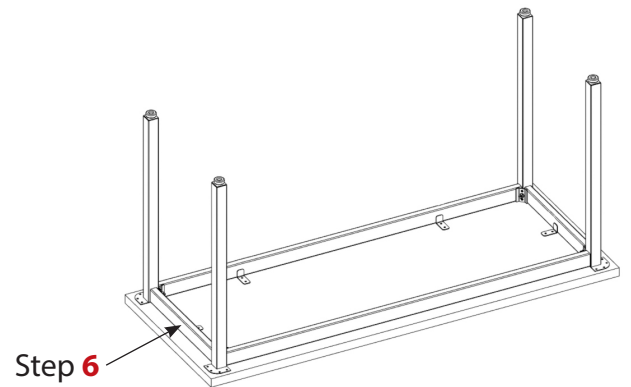
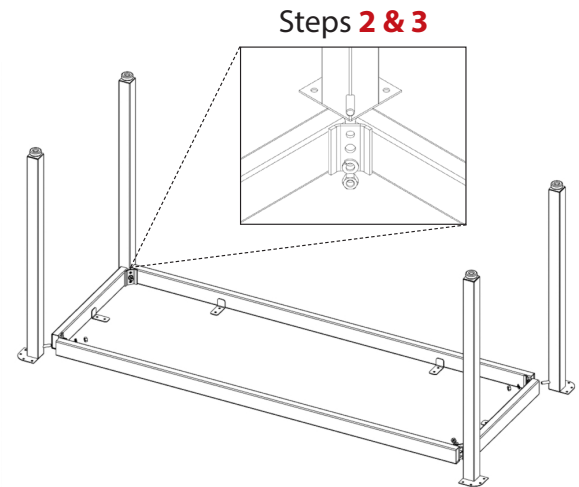
- Make sure frame and top are clean and free from any debris and/or contamination that would interfere with adhesion of sealant applied.
- In adhering the tops to the frames, we have found that using a polyurethane sealant/adhesive works best in this application. It is recommended to identify an adhesive sealant that when fully cured, it retains it's flexibility.

Step 6:

- Apply a bead of polyurethane sealant/adhesive (provided by installer) on the full perimeter of the frame and manually center top to the frame. (There will **NOT** be any pre-drilled pilot holes in the Epoxy top.)
- DO NOT attempt to use ANY hardware to attach the top to the frame which are included in the leg packaging.**
- Table must cure for **24 HOURS** in this position before continuing to Step 7.

Step 7:

- After letting assembled frame and top cure for 24 hours, turn table upright with someone's help.





Tools Required

- $\frac{1}{2}$ " Wrench
- Polyurethane sealant


Installing casters on tables with epoxy resin tops will void the Epoxy warranty.

Part Identifier Key


Part #	Description	Qty.	
0408231	#10 x 3/4" Square pan screws DO NOT Use on EPOXY tops!!	26 (Included in Hardware Pack located in leg box) DO NOT Use on EPOXY tops!!	
Hardware Pack 040379	5/16" Lock washers 5/16" Hex nuts (Used to attach legs to frame)	4 4	

Caster Hardware will be included in Leg box: Installing casters on tables with epoxy resin tops voids the warranty.

3" Heavy Duty Caster Hardware Pack (04066968) Used only with 2" adj. legs (-ALR & -ABP)

Part #	Description	Qty.	
04067460	1/4" Star washers	4 per set	
04067064	M6 1x18 screws (Used in leg insert to prevent bending of the leg insert)	4 per set (Included in Hardware Pack located in leg box as standard. Discard if casters are not installed.)	

3" Heavy Duty Caster Hardware Pack (0402020) Used only with 1.5" adj. legs (-ADJ)

Part #	Description	Qty.	
04067460	1/4" Star washers	4 per set	
0401259	M6 1x14 screws (Used in leg insert to prevent bending of the leg insert)	4 per set (Included in Hardware Pack located in leg box as standard. Discard if casters are not installed.)	



LOBO Legs

Adjustable Legs

Model #	Smooth Silver Sku #	Black Sku#	Description	Weight	Height"
LOB -ADJ	0409195-G4	0409195	LOBO 1.5" (40mm) Square Adj. Leg	18	22 - 36.6
LOB -ALR	0409193-G4	0409193	LOBO 2" (50mm) Round Adj. Leg	20	22.25 - 36.25
LOB -ABP	N/A	0409196	LOBO 2" (50mm) Big Paw Sq. Adj. Leg	20	22.25 - 36.25

Fixed Legs

Model #	Smooth Silver Sku #	Black Sku#	Description	Weight	Height"
LOB -FX	0409194-G4	0409194	LOBO 1.5" (40mm) Square Fixed Leg	16	28.5

Assembly Instructions

Before you begin, please make sure all parts and proper quantities are included. (See Part Identifier Key) Any parts damaged during shipment must be reported within 24 hours of receipt. To report information regarding damages or if you have any questions, please call 800.242.2303.

Step 1:

- Make sure that legs are fully installed and adjusted to the correct height.

Step 2:

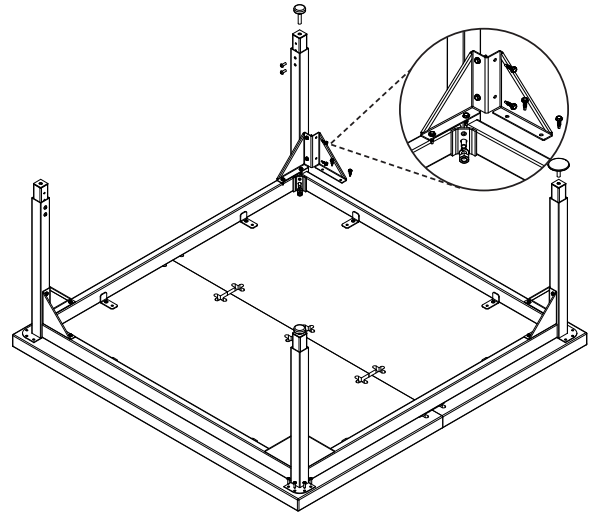
- Place gusset in corner where leg and frame meet. Use a rubber mallet to tap the #10 self-drilling screws into place.

Step 3:

- Using a screw gun along with a 5/16" hex bit to finish fastening the gussets to the leg and frame with the #10 self-drilling screws.

Step 4:

- Repeat for remaining gussets.





Tools Required

- Screw Gun
- 5/16" Hex Bit
- Rubber Mallet



Gussets are NOT available on shaped tables excluding the Round ones.

Part Identifier Key

Gussets w/ Hardware Pack (04066920) Used only with square LOBO legs

Part #	Description	Qty.	
04009742	#10 Self-drilling screws	8 per gusset	
04066920	Gusset for square legs	1 per leg	

Gussets w/ Hardware Pack (04066918) Used only with round LOBO legs

Part #	Description	Qty.	
04009742	#10 Self-drilling screws	8 per gusset	
04066918	Gusset for square legs	1 per leg	

Assembly Instructions

Before you begin, please make sure all parts and proper quantities are included. (See Part Identifier Key) Any parts damaged during shipment must be reported within 24 hours of receipt. To report information regarding damages or if you have any questions, please call 800.242.2303.

Step 1:

- Remove Nylon glide from leg by rotating counterclockwise until glide is free.

Step 2:

- Place stem of optional footing into the hole on the leg. Rotate clockwise until fully inserted into leg.




Step 4:

- Repeat for each caster or glide.



Installing casters on tables with epoxy resin tops will void the Epoxy warranty.

Part Identifier Key

Part #	Description	Qty.	
040164	1 3/8" Dia. Grand Hank glide, 3/8"-16 x 1"	1 per leg	
04067920	1.5" Soft Touch glide	1 per leg	
33056S	1.25" Steel glide	1 per leg	



LOBO Legs

Adjustable Legs

Model #	Color		Description	Weight	Height"
	Smooth Silver Sku #	Black Sku#			
LOB -ADJ	0409195-G4	0409195	LOBO 1.5" (40mm) Square Adj. Leg	18	22 - 36.6
LOB -ALR	0409193-G4	0409193	LOBO 2" (50mm) Round Adj. Leg	20	22.25 - 36.25
LOB -ABP	N/A	0409196	LOBO 2" (50mm) Big Paw Sq. Adj. Leg	20	22.25 - 36.25

Fixed Legs

Model #	Color		Description	Weight	Height"
	Smooth Silver Sku #	Black Sku#			
LOB -FX	0409194-G4	0409194	LOBO 1.5" (40mm) Square Fixed Leg	16	28.5