

Installation Instructions

Before you begin, please make sure all parts and proper quantities are included. (See Part Identifier Key) Any parts damaged during shipment must be reported within 24 hours of receipt. To report information regarding damages or if you have any questions, please call 800.242.2303.

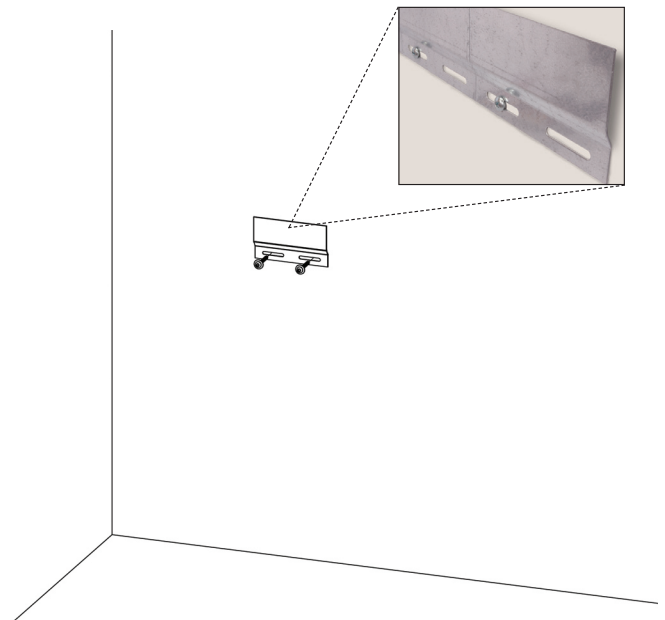
Tools Required

- Screw gun
- Level
- Metal File

Step 1:

- Snap mounting bracket to correct length for wall construction and file off any burrs or sharp corners that may be exposed if cabinet is moved.
- Mount the bracket to the wall so the distance from the floor to the center of the screws is 25.5". (Installers should verify field dimensions as site circumstances may vary.)
- Fasteners for mounting the bracket to the wall are to be supplied by the customer and should be appropriate for the wall construction.

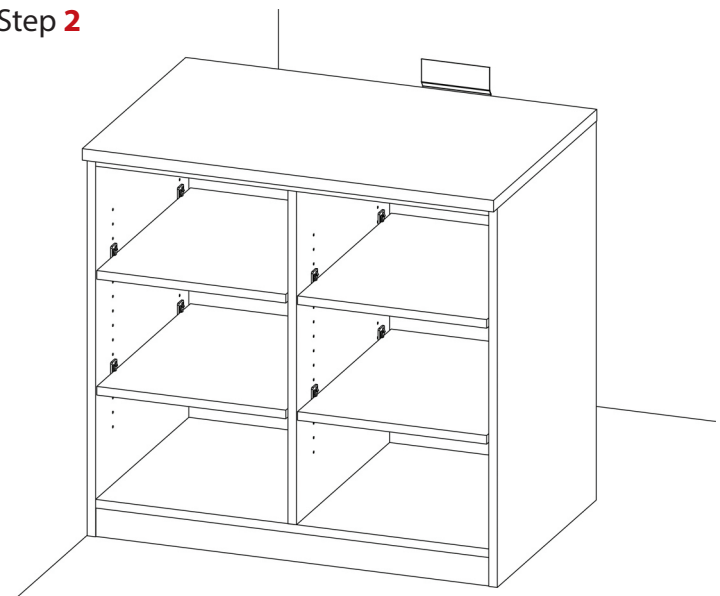
Step 1



Step 2:

- Once mounting bracket is properly fastened to the wall, slide the cabinet against the wall.

Step 2



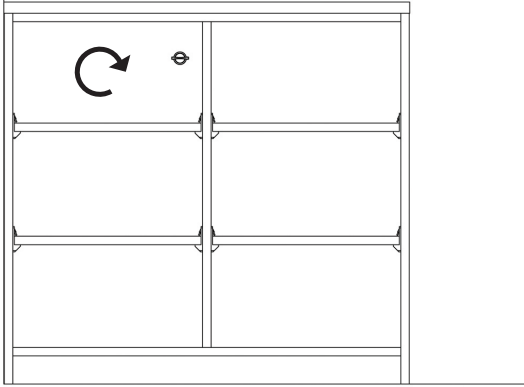
V042219 subject to change.

Step 3:

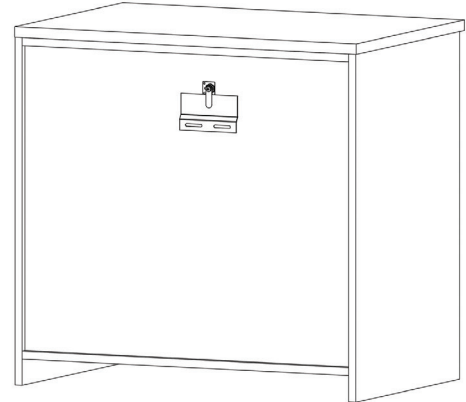
- Turn handle to engage lock to connect the cabinet to the wall.

Step 3

Looking into the front of cabinet.



Back of cabinet



Inter-lock latch keeps cabinet tight against the wall.



Part Identifier Key

Part #	Description	Qty.	
04009243	Cabinet Clip (Inter-lock wall bracket) <i>(Used to connect cabinet to the wall.)</i>	1	