



Scan or click QR code to watch the LOBO Table assembly video

Assembly Instructions

Tools Required

- 1/2" Wrench
- Screw Gun
- # R2 Square Bit

Parts List: (per table)

- (1) - LOBO Table Top
- (1) - LOBO Table Frame
- (4) - LOBO Legs
- (4) - 5/16" Hex Nuts
- (4) - 5/16" Lock Washers
- (22) - #10 3/4" Square Pan Screws

Before you begin, please make sure all parts and proper quantities are included. Any parts damaged during shipment must be reported within 5 days of receipt. To report information regarding damages or if you have any questions, please call 800.242.2303.

1 Place the LOBO tabletop face down on a protected flat surface.

2 Place LOBO frame tabs down on top of the LOBO tabletop and align with pre drilled pilot holes. (If assembling an Epoxy top, an adhesive or silicone is required to attach to the LOBO frame. DO NOT use the #10 screws to attach the frame to top.)

3 Secure frame to table top with #10 screws. One screw per tab.

4 Starting at one corner, place the 5/16" bolt that is welded to leg through corner support brace of frame. Fig. A.

5 Place the 5/16" lock washer and 5/16" hex nut onto the leg bolt and tighten. Repeat steps 4 & 5 on remaining legs.

6 Use #10 screws to secure the leg plates to the tabletop. Repeat for each leg plate. Fig. B

Fig. A

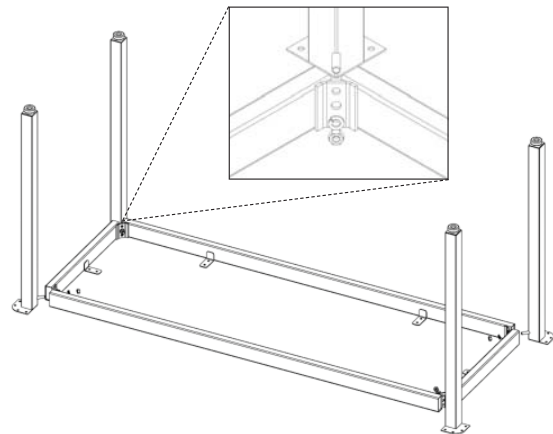
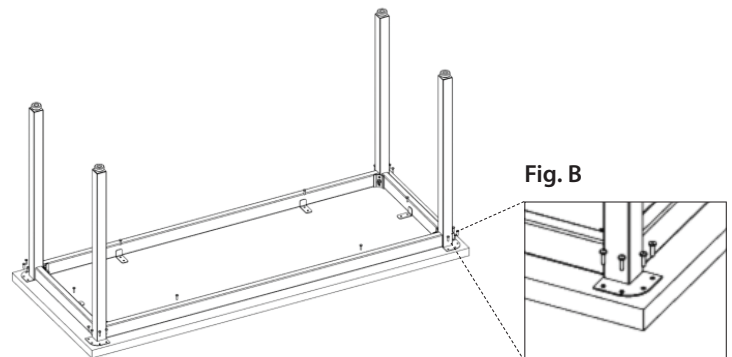


Fig. B



It is recommended that the table be turned upright with two or more people.

If gussets or casters were ordered proceed to page 2.

Assembly Instructions for Heavy Duty Casters and Gussets

Tools Required

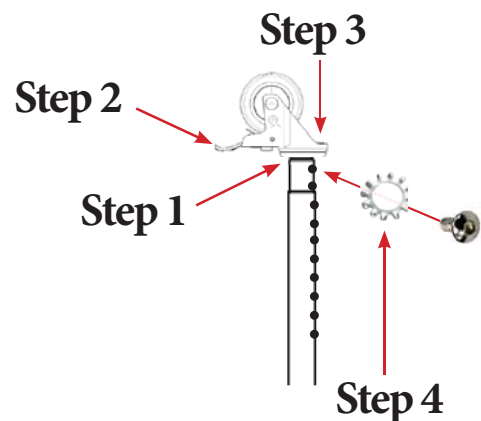
- 3/4" Wrench
- Thread Locking Adhesive (optional)

Parts List: (per table)

- (4) M6 Screws
- (4) Star Washers
- (4) Heavy Duty Locking Casters

Before you begin, please make sure all parts and proper quantities are included. Any parts damaged during shipment must be reported within 5 days of receipt. To report information regarding damages or if you have any questions, please call 800.242.2303.

- 1** Twist the stem of the caster into the hole on the bottom of the leg. Applying thread locking adhesive can help prevent unexpected loosening of the caster.
- 2** Lock the caster by pushing up on the brake lever.
- 3** Use 3/4" Wrench to tighten 3/4" nut on stem of caster.
- 4** If using adjustable legs, insert Star Washer and M6 Screw in hole closest to the caster. **DO NOT OVER TIGHTEN.**
- 5** Repeat for remaining casters.



LOBO Table with Gussets

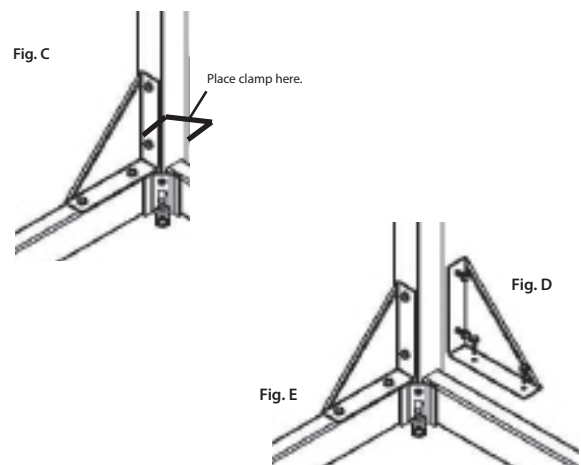
Tools Required

- Screw Gun
- Clamp
- 5/16 Hex bit
- Rubber Mallet

Parts List: (per table)

- (32) #10 Self-Drilling Screws (4 per gusset)
- (8) Steel Gussets

- 1** Make sure that legs are fully installed and adjusted to the correct height.
- 2** Place gusset in corner where leg and frame meet and use a clamp to hold in place. Fig. C.
- 3** Use a rubber mallet to tap the screws into place.
- 4** Use #10 self-drilling screws to fasten gusset into the leg and frame. Fig. D-E.
- 5** Repeat for remaining gussets.



Hardware List



5/16" Hex Nut



M6 Screw



Heavy Duty Locking Caster



Star Washer



#10 Screw



Gusset



Lock Washer