

Phoenolic Locker Bench specifications

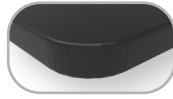
Butcher Block Seats:

Hardwood: 1.25" thick face-glued hardwood strips with 0.125" radius comfort edges and rounded corners with two coats catalyzed clear lacquer top and sides with one clear coat bottom.



Phenolic Seats:

1" thick matte black phenolic resin with 0.125" radius comfort edges and rounded corners with high resistance to chemicals, humidity and abrasions.



Pedestal Specifications:

Diameter: 2.375"

Finishes: 14-gauge T304 stainless steel, 16-gauge Q235B steel painted with almond gloss finish

Pedestal Height: 16.25"H

Parts Bag: Hex head lag screw, zinc .25" x 1" long, qty 12

Span Recommendation: 4 foot maximum span between pedestals

Packaging: 2 legs with hardware per box; sold individually

Bench Seat Options: Butcher Block, Phenolic



Painted almond gloss finish



Stainless steel finish

ADA Bench Frame Specifications:

Legs: 2" - 14 gauge tubing with .25" steel plates

Backrest Frame: 1.25" - 14 gauge tubing with 10 gauge steel plates

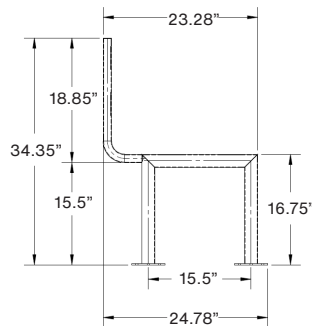
Finishes: Almond or T201 stainless steel

Height: Pedestal is 34.35" and 18"H seating height which includes a 1.25" faced-glued hardwood strips

Span Requirement: In order to be ADA compliant, the space between the bench back and seat CAN NOT exceed 2".

Packaging: 2 legs with hardware per box; sold individually

Bench Seat Option: Butcher Block



Shipping Class: 70, Density Based Class

NMFC#: 79860 (Locker Benches), 83630 (Pedestals, Brackets)

Assembly: Unassembled

U- Shaped Pedestal Specifications:

Diameter: 1.5" round

Finishes: 16-gauge painted black steel with 14-gauge support bracket

Pedestal Height: 17.862"H with 1³/₈" nylon glide; overall 19"H assembled

Span Recommendation: 4 foot maximum span between pedestals; 96" bench ships with 3 pedestals

Packaging: Sold as 48", 60", 72", 96"L kit with 12", 15" and 18"W hardwood locker room bench

Bench Seat Option: Butcher Block



Trapezoid Specifications:

Diameter: 2.375"

Finishes: 16-gauge T201 stainless steel or 16-gauge steel painted almond gloss

Pedestal Height: 16.25"H

Parts Bag: Hex head lag screw, zinc .25" x 1" long, qty 12

Span Recommendation: 4 foot maximum span between pedestals

Packaging: 2 legs with hardware per box; sold individually

Bench Seat Options: Butcher Block

(This pedestal is recommended for benches 12"D or 18"D; otherwise, the base of the pedestal is significantly wider than a 9.5"D bench seat.)



Wall Mount Brackets:

Materials: 1.5"W x .125" steel bracket or 12-gauge #4 stainless steel with reversible design; 3" x 3" notch for wall cleat or wire run clearance

Finishes: Almond (-A) Powder Coated; Black (-B) Powder Coated; Stainless Steel (-SS)

Span Recommendation: 4 ft max span between brackets

Packaging: Sold as pair with 2 brackets per package; wall fasteners are not included

Bench Seat Option: Butcher Block

NOTE: Hardware to mount pedestals and brackets to the floor or wall are required but not included as the substrate is unknown.



Important Information

- It is recommended to install two pairs of round pedestals for every four foot span on ADA benches. It is recommended to install two pedestals for every four foot span on locker benches. Hardware to attach pedestals to the bench is included. Benches greater than 72" require more than 2 pedestals. Benches 20" and wider need more than 1 pedestal per side.
- It is recommended to attach pedestals to the floor, hardware to attach pedestals to floor is not included.
- Hardwood locker benches are not recommended for areas with high moisture content. Failure to properly protect benches from moisture negates the product warranty.

V041321 Version subject to change



PLB9H072

Phenolic Locker Bench Kits w/ Stainless Steel Pedestals

<i>Model #</i>	<i>Wgt</i>	<i>Description</i>	<i>D" x L" x H"</i>
PLB9H036	28	Phenolic Seat w/2 SS Pedestals*	9.5 x 36 x 17.25
PLB9H048	34	Phenolic Seat w/2 SS Pedestals*	9.5 x 48 x 17.25
PLB9H060	40	Phenolic Seat w/2 SS Pedestals*	9.5 x 60 x 17.25
PLB9H072	51	Phenolic Seat w/3 SS Pedestals*	9.5 x 72 x 17.25
PLB9H096	63	Phenolic Seat w/3 SS Pedestals*	9.5 x 96 x 17.25
PLB9H120	79	Phenolic Seat w/4 SS Pedestals*	9.5 x 120 x 17.25
PLB12036	33	Phenolic Seat w/2 SS Pedestals*	12 x 36 x 17.25
PLB12048	40	Phenolic Seat w/2 SS Pedestals*	12 x 48 x 17.25
PLB12060	48	Phenolic Seat w/2 SS Pedestals*	12 x 60 x 17.25
PLB12072	60	Phenolic Seat w/3 SS Pedestals*	12 x 72 x 17.25
PLB12096	75	Phenolic Seat w/3 SS Pedestals*	12 x 96 x 17.25
PLB12120	95	Phenolic Seat w/4 SS Pedestals*	12 x 120 x 17.25
PLB18042	49	Phenolic Seat w/2 SS Pedestals*	18 x 42 x 17.25
PLB18048	55	Phenolic Seat w/2 SS Pedestals*	18 x 48 x 17.25
PLB20042	64	Phenolic Seat w/4 SS Pedestals*	20 x 42 x 17.25
PLB20048	70	Phenolic Seat w/4 SS Pedestals*	20 x 48 x 17.25
PLB24042	73	Phenolic Seat w/4 SS Pedestals*	24 x 42 x 17.25
PLB24048	80	Phenolic Seat w/4 SS Pedestals*	24 x 48 x 17.25

*Seats are pre-drilled and include hardware to attach bench to pedestal.

Phenolic Locker Bench (w/o pedestals)

<i>Model #</i>	<i>Wgt</i>	<i>D" x L" x H"</i>
LAB9H036	18	9.5 x 36 x 1
LAB9H048	24	9.5 x 48 x 1
LAB9H060	30	9.5 x 60 x 1
LAB9H072	36	9.5 x 72 x 1
LAB9H096	48	9.5 x 96 x 1
LAB9H120	59	9.5 x 120 x 1
LAB12036	23	12 x 36 x 1
LAB12048	30	12 x 48 x 1
LAB12060	38	12 x 60 x 1
LAB12072	45	12 x 72 x 1
LAB12096	60	12 x 96 x 1
LAB12120	75	12 x 120 x 1
LAB18042	39	18 x 42 x 1
LAB18048	45	18 x 48 x 1
LAB20042	44	20 x 42 x 1
LAB20048	50	20 x 48 x 1
LAB24042	53	24 x 42 x 1
LAB24048	60	24 x 48 x 1