

Assembly Instructions

Tools Required

- Screw Gun
- # R2 Square Bit

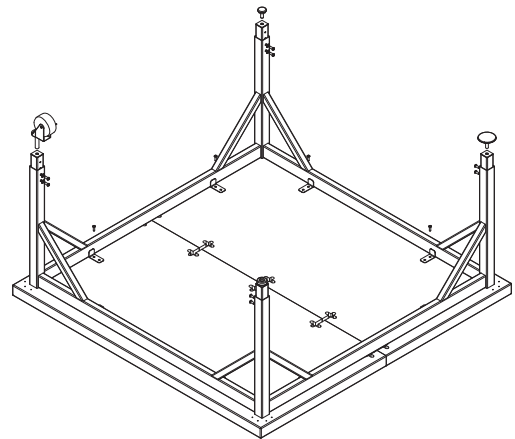
Parts List: (per table)

- (1) - TORO Table Top
- (1) - TORO Table Frame & Legs
- #10 3/4" Square Pan Screws (# depends on size of top)

Before you begin, please make sure all parts and proper quantities are included. Any parts damaged during shipment must be reported within 5 days of receipt. To report information regarding damages or if you have any questions, please call 800.242.2303.

- 1 Place the TORO tabletop face down on a protected flat surface.
- 2 Place TORO frame tabs down on top of the TORO tabletop and align with pre drilled pilot holes. (If assembling an Epoxy top, an adhesive or silicone is required to attach to the TORO frame. DO NOT use the #10 screws to attach the frame to top.)
- 3 Secure frame to table top with #10 screws. One screw per tab.

It is recommended that the table be turned upright with two or more people.



Assembly Instructions for Heavy Duty Casters

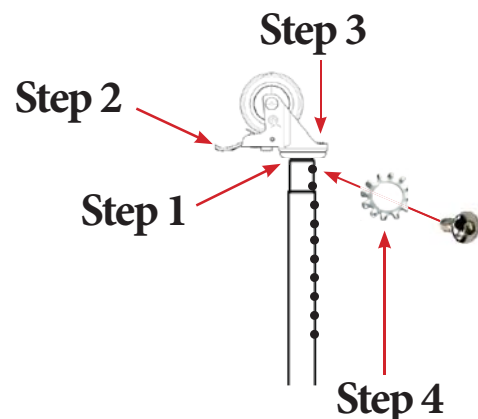
Tools Required

- 3/4" Wrench
- Thread Locking Adhesive (optional)

Parts List: (per table)

- (4) M6 Screws
- (4) Star Washers
- (4) Heavy Duty Locking Casters

- 1 Twist the stem of the caster into the hole on the bottom of the leg. Applying thread locking adhesive can help prevent unexpected loosening of the caster.
- 2 Lock the caster by pushing up on the brake lever.
- 3 Use 3/4" Wrench to tighten 3/4" nut on stem of caster.
- 4 If using adjustable legs, insert Star Washer and M6 Screw in hole closest to the caster. DO NOT OVER TIGHTEN.
- 5 Repeat for remaining casters.



Hardware List



#10 Screw



M6 Screw



Heavy Duty Locking Caster



Star Washer