

### HPL Tops:

The core material is 1.125" thick particle board with a phenolic backer sheet and high pressure laminate (HPL) on top making the worksurface 1.25" thick. Complimentary thin PVC edge banding is applied to all sides, square corners.

### HPL Rails:

The core material is .935" thick particle board with double sided high pressure laminate (HPL) making the top 1.06" thick. Railings match the color of the laminate worksurface. WB standard 3mm PVC edge banding is applied to all sides, square corners.

Railings are attached to the laminate worksurface using joint connector bolts going into threaded inserts making it an extremely strong metal-to-metal connection.

### Corner Gusset Kit:

Recommended for all LOBO tables with caster option, table size that exceeds 30" x 72" or intended table use heights greater than 31" for increased stability.

**Shipping Class:** Tops: 70, Frames: Density Based Class\*

**NMFC#:** Tops: 83620-2, Frames: 82790

\*Based on quantity shipped

### Standard Feature:



3" heavy duty locking casters (-HDCA)\*

### Optional Feature:



3" heavy-duty locking colored casters, raises heights by 3.5"\* (-HDCC\_)

\*Casters are NOT to be used as leveling devices and require field assembly.

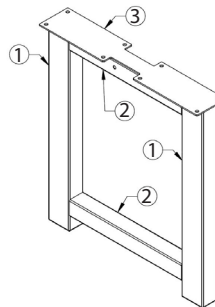
### EPIC Frame:

The frame is 16-gauge steel and is fully MIG welded together. Frame leg tubes ① are 3" x 2" and tubes ② are 2" x 2". The 10-gauge mounting plate ③ is welded to the tubes and is attached to the table top using joint connector bolts. The frame legs are finished off with a 3" heavy duty locking caster that has a 3/8"x16x1 stem with thread. Casters are NOT to be used as a leveling device and require field assembly.

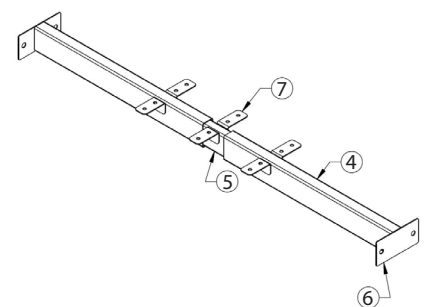
### Crossbar:

The adjustable crossbar consists of an outer 16-gauge tube ④ which is 1" x 2" and an inner 16-gauge tube ⑤ which is 3/4" x 1 3/4". The crossbar is attached to the frame using joint connector bolts and nuts going through a 16-gauge plate ⑥ located on both ends of the crossbar. The crossbar has welded 16-gauge steel tabs ⑦ at preset locations for fastening the crossbar to the back of the table top using #10 square pan screws.

Frame



Crossbar



### Finish:

The frame comes standard with a smooth silver finish and the crossbar is textured black. Colored frames are optional. (blue, green, orange, purple, red or textured black)



Smooth Silver (frame)

### Additional Colors for EPIC frames.



### 3" Heavy Duty Colored Caster Chart

Model #	SKU	Colored Caster
-HDCCP	04067882-P	Purple
-HDCCR	04067882-R	Red
-HDCCCL	04067882-L	Lime Green
-HDCCB	04067882-B	Blue

Model #	SKU	Colored Caster
-HDCCO	04067882-O	Orange
-HDCCG4	04067882-G4	Grey
-HDCC09	04067882-09	Black

# EPIC Ingenuity Table

## specifications

### EPIC Ingenuity Table



<i>Model #</i>	<i>Wgt</i>	<i>Description</i>	<i>Top D"x L"</i>	<i>Worksurface H"</i>	<i>Overall H"</i>
EPC3071-FX-RR6	101	Comes Standard w/ Heavy Duty Casters	26.12 x 62.12	29.36	33.11
EPC3071-WFX-RR6	103	Comes Standard w/ Heavy Duty Casters	26.12 x 62.12	36	39.75
EPC3071-SFX-RR6	104	Comes Standard w/ Heavy Duty Casters	26.12 x 62.12	40	43.75
EPC3082-FX-RR6	116	Comes Standard w/ Heavy Duty Casters	32.12 x 62.12	29.36	33.11
EPC3082-WFX-RR6	118	Comes Standard w/ Heavy Duty Casters	32.12 x 62.12	36	39.75
EPC3082-SFX-RR6	119	Comes Standard w/ Heavy Duty Casters	32.12 x 62.12	40	43.75