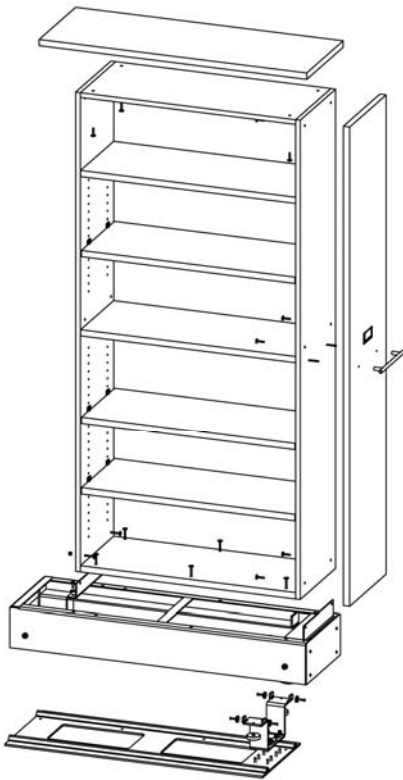


## Assembly Instructions

Before you begin, please make sure all parts and proper quantities are included. Any parts damaged during shipment must be reported within 5 days of receipt. To report information regarding damages or if you have any questions, please call 800.242.2303.



### Tools Required:

- Phillips screwdriver
- 4mm Allen wrench
- 7/16" wrench
- Hammer
- Drill
- Carpenter's square
- Level

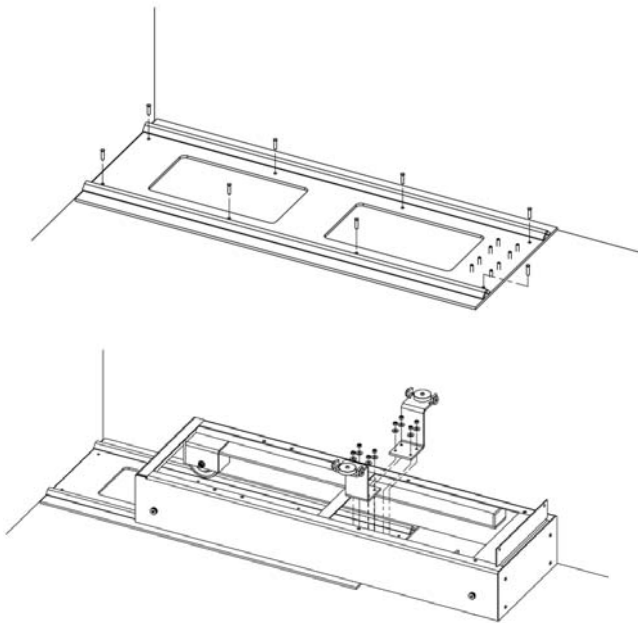
Before you begin, please make sure all parts and proper quantities are included. Any parts damaged during shipment must be reported within 15 days of receipt. To report information regarding damages or if you have any questions, please call 800.242.2303.

Part #	Small Parts List Per Cabinet	Qty Per Cab.
04009015	1/4-20 Nylon Insert Lock Nut Black	2
04009421	1/4-20 Reverse Lock Nut	8
0404232	1/4" Flat Washer	10
0406686	1/4-20x1-3/8" Joint Connector Bolt	12
0406526	1/4-20x40MM Joint Connector Bolt	6
04009296	#8-32x2-1/4" Phillips Pan Head Screw	2
04009297	192MM Stainless Bar Pull	1
0400988	Label Holder for 1-1/2"x2-15/16" Card	1
0400072	1/4-20x3/4" Hex Head Bolt	2
	Anti-Tip / Stop Bracket	2
	Top and Side Finish Panels	1 each
	Bookshelf with center fixed and adj shelves	1

## Assembly Instructions-Cont.

### IMPORTANT PRECAUTIONS:

- Installation site must be level. If the floor level varies by more than 1/8" over a 3 foot span, installation in another location should be considered. Floor should be free of dirt and debris before installation begins.
- The system should be installed by a skilled carpenter who is familiar with the installation instructions.
- Installation is required next to a side wall. This ensures unit is installed square to the wall, sidewalls and floor, according to these assembly instructions.
- Unit's plate and mobile frame must be secured to the floor using appropriate fasteners for that surface material. This unit without proper installation could be hazardous to the users or property.
- If installing over carpeting, it should be commercial grade carpet without a foam backing pad.



### NOTE:

Instructions for installing all cabinets except the last cabinet in a row.

### Step 1:

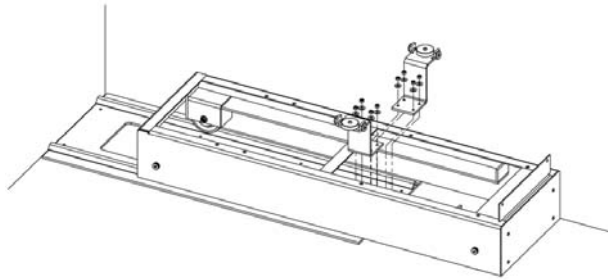
Start with the first cabinet to be installed next to a wall. Attach mounting plate assembly to floor using appropriate fasteners (not included).

Be sure that the plate is parallel to the wall next to it and the threaded studs are away from the wall behind cabinets.

### Step 2:

Set the mobile frame on to the mounting plate so that the V-groove wheels ride on the angle and the rubber wheels ride on the floor.

## Assembly Instructions-Cont.

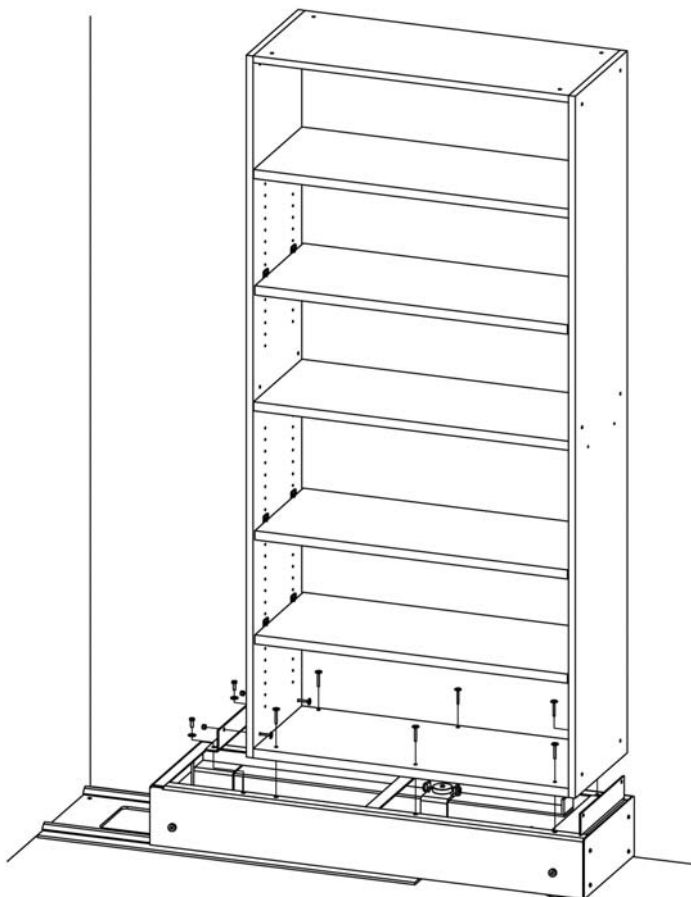


**NOTE:**

Instructions for installing all cabinets except the last cabinet in a row.

**Step 3:**

Place the anti-tip / stop bracket on 1/4-20 studs and fasten with 8, 1/4" washers and 8, 1/4-20 lock nuts.



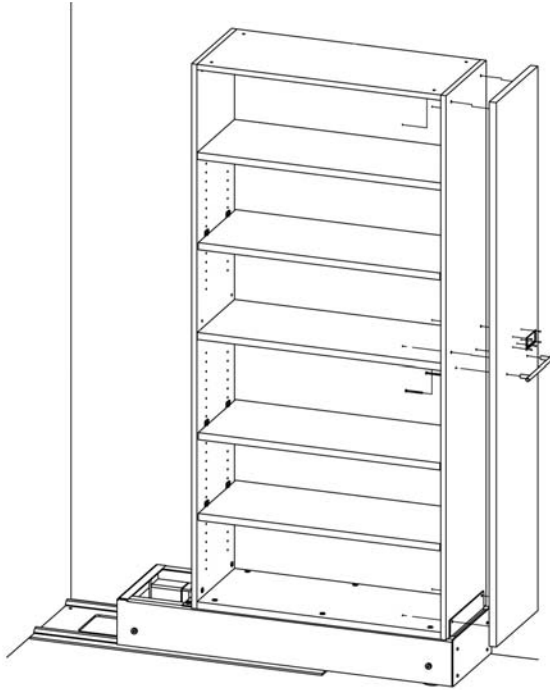
**Step 4:**

Place the cabinet onto mobile frame so that access to the cabinet is from the preferred direction.

**Step 5:**

Fasten cabinet to mobile frame using 6, 1/4-20 x 40mm joint connector bolts through the bottom of the cabinet. Once cabinet is fastened to frame, bolt the 2.38"x1.5"x14.23" bracket to the mobile frame using 2, 1/4-20x.75" hex head bolts with a 1/4" washer. Then bolt cabinet to the bracket using 2, 1/4-20 x 1-3/8" joint connector bolts and 2, 1/4-20 nylon insert lock nuts.

## Assembly Instructions-Cont.

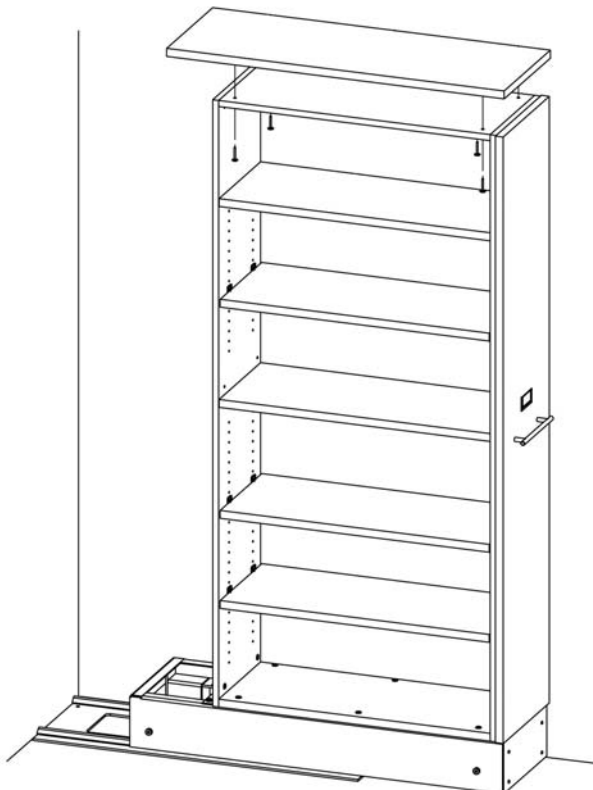


**NOTE:**

Instructions for installing all cabinets except the last cabinet in a row.

**Step 6:**

Next, install the front panel using 6, 1/4-20 x 1-3/8" joint connector bolts. Once the front panel is attached, install the handle using 2, 8-32 x 2-1/4" pan head screws. Install the label holder in predrilled location.



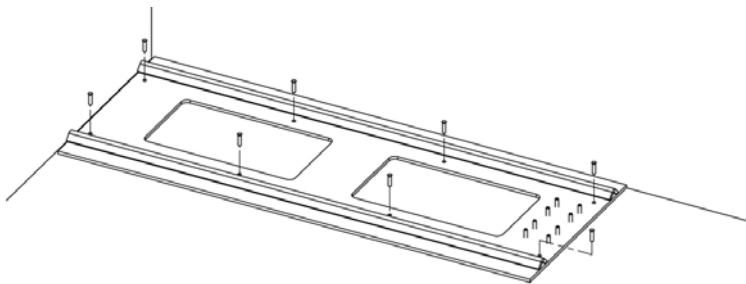
**Step 7:**

Install top onto cabinet so that the large overhang is to the back of the cabinet and attach using 4, 1/4-20 x 35mm joint connector bolts.

**Repeat:**

Repeat steps 1 through 7 until all units are assembled, except the final cabinet.

## Assembly Instructions-Cont.



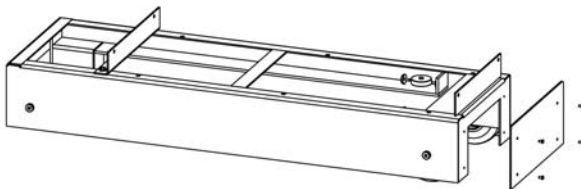
**NOTE:**

These instructions are for installing the LAST cabinet in the row.

**Step 1:**

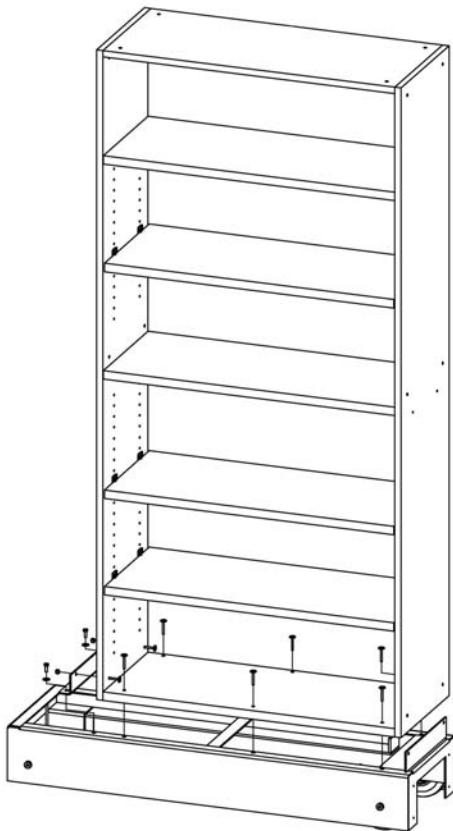
Attach mounting plate assembly to the floor using appropriate fasteners (not included).

**DO NOT INSTALL MOBILE BASE ONTO TRACK UNTIL THE CABINET HAS BEEN ATTACHED TO THE MOBILE FRAME.**



**Step 2:**

Remove the front plate from the mobile base. Set aside as it will be reattached when installation is completed.



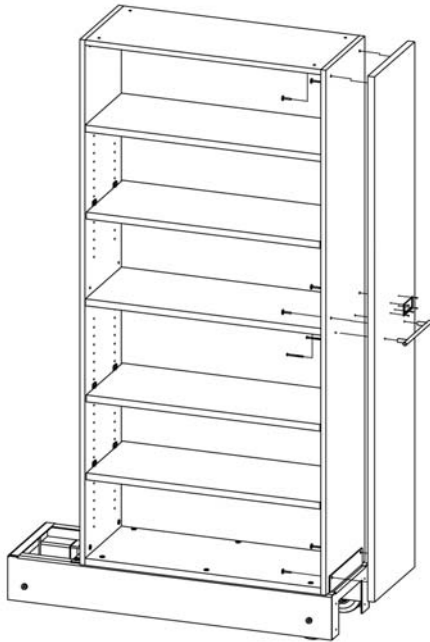
**Step 3:**

Place cabinet onto mobile frame so that access to the cabinet is from the preferred direction.

**Step 4:**

Fasten cabinet to mobile frame using 6, 1/4-20 x 40mm joint connector bolts through the bottom of the cabinet. Once cabinet is fastened to frame, bolt the 2.38"x1.5"x14.23" bracket to the mobile frame using 2, 1/4-20x.75" hex head bolts with a 1/4" washer. Then bolt cabinet to the bracket using 2, 1/4-20 x 1-3/8" joint connector bolts and 2, 1/4-20 nylon insert lock nuts.

## Assembly Instructions-Cont.

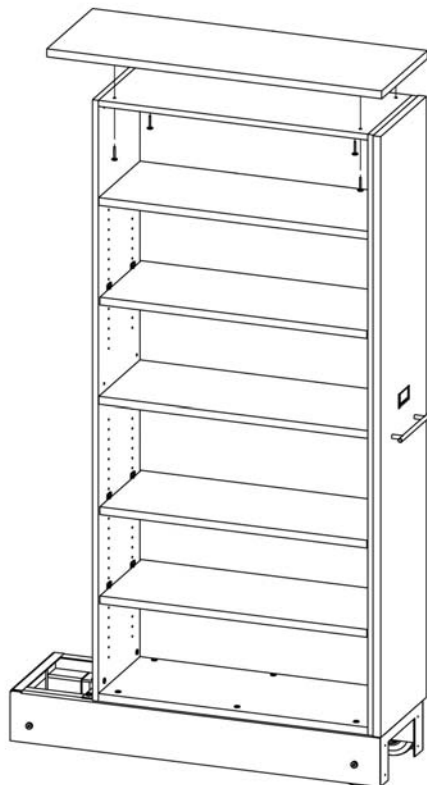


**NOTE:**

These instructions are for installing the LAST cabinet in the row.

**Step 5:**

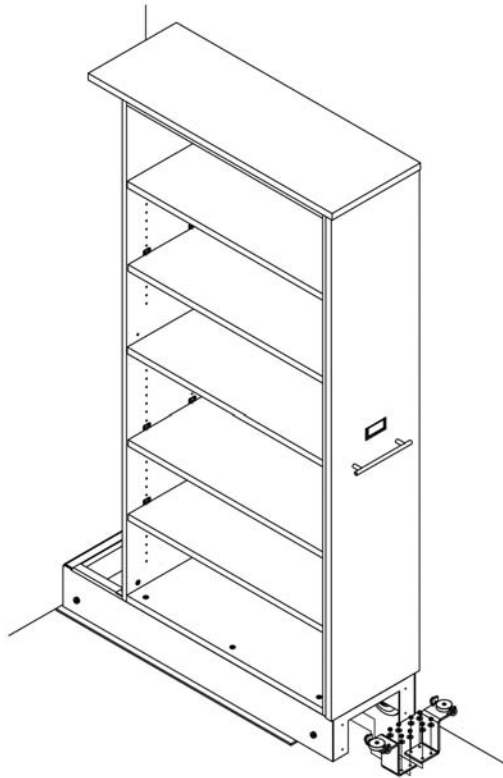
Next, install the front panel using 6, 1/4-20 joint connector bolts. Once the front panel is on, install the handle using 2, 8-32 x 2-1/4" pan head screws. Install the label holder in predrilled location.



**Step 6:**

Install top onto cabinet so that the large overhang is to the back of the cabinet and attach using 4, 1/4-20 x 35mm joint connector bolts.

## Assembly Instructions-Cont.

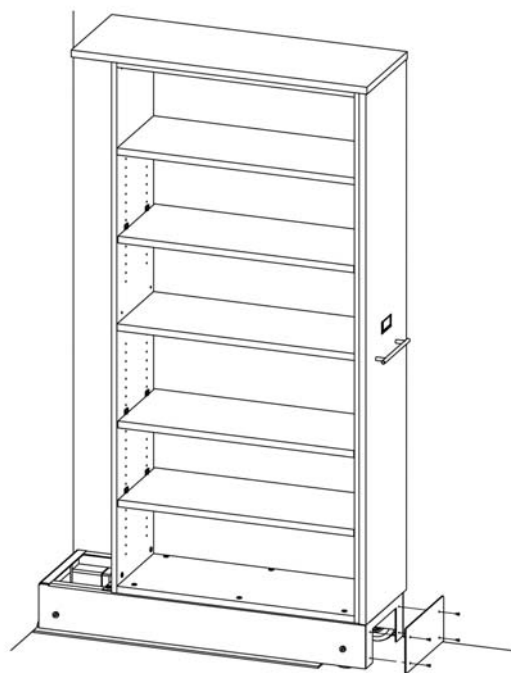


**NOTE:**

These instructions are for installing the LAST cabinet in the row.

**Step 7:**

Once the frame and the cabinet are assembled, set the mobile frame onto the mounting plate so that the v-groves ride on the angles and the rubber wheels ride on the floor.



**Step 8:**

Use the cutout on the front of the frame to place the anti-tip / stop brackets on  $\frac{1}{4}$ -20 studs and fasten with 8,  $\frac{1}{4}$ " washers and 8,  $\frac{1}{4}$ -20 nylon insert nut.

**Step 9:**

Reinstall the removable front panel.