



UNE-T Leg Comparison



507 East Grant Street
Thorp, WI 54771
800-242-2303
www.wibenchmfg.com

NEW *UNET Legs*

Quicker Installs & Larger Height Ranges!

*****Model #'s for UNE-T Workstations will be "UWST7xxx-ADJ/EJA"*****

Generation I

UNE-T Leg

Model #

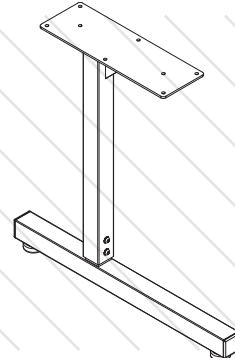
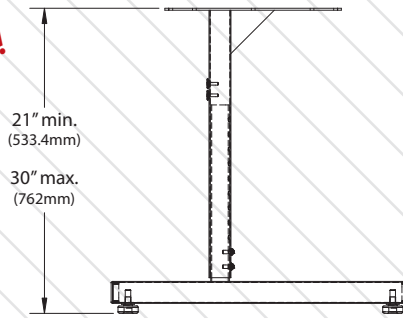
UNE7___-ADJ

O.A. Height Ranges (with top)

22 - 31" w/out casters

24.25 - 33.25" w/ casters

*Limited Availability
Smooth Silver Only!*



8 Bolts/Leg Plate

Generation II

UNET Junior Height Leg

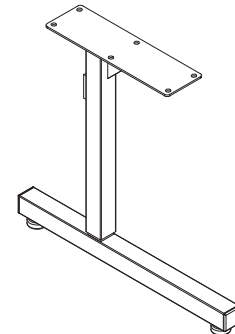
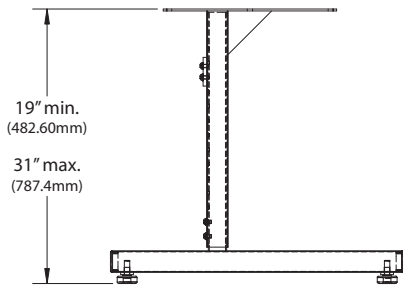
Model #

UNET7___-EJA

O.A. Height Ranges (with top)

20.25 - 32.25" w/out casters

22.5 - 34.5" w/ casters



Quicker Install!

6 Bolts/Leg Plate



Smooth Silver
(Standard)



Textured Black

Generation II

UNET Sit to Stand Leg

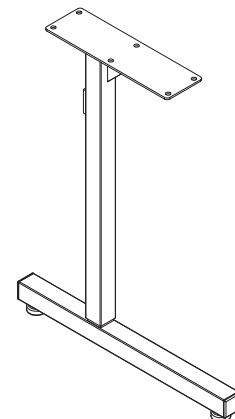
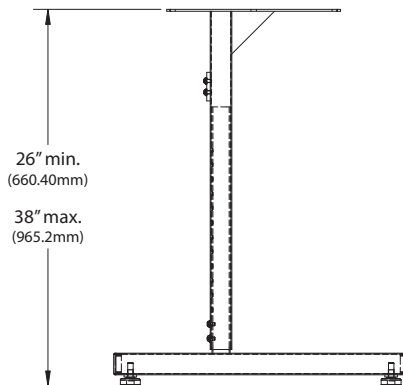
Model #

UNET7___-ADJ

O.A. Height Ranges (with top)

27.25 - 39.25" w/out casters

29.5 - 41.5" w/ casters



Quicker Install!

6 Bolts/Leg Plate



Smooth Silver
(Standard)



Textured Black