



Assembly Instructions

Tools Required

- 4mm Allen Wrench
- Screw Gun
- 5/32" Hex Bit

Parts List: (per desk)

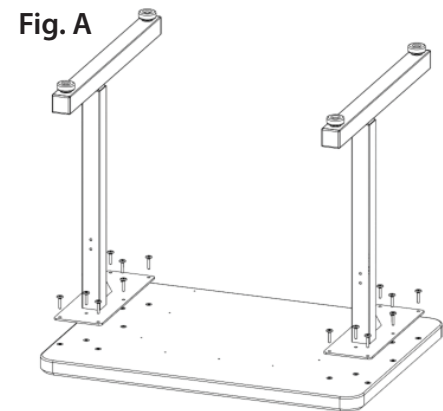
- (16) Joint Connector Bolts 10-24x1"
- (4) Joint Connector Bolts 1/4-20x15mm
- (1) Connector Bar 10-24x1"
- (1) UNE-T Desktop
- (2) UNE-T Legs

Before you begin, please make sure all parts and proper quantities are included. Any parts damaged during shipment must be reported within 5 days of receipt. To report information regarding damages or if you have any questions, please call 800.242.2303.

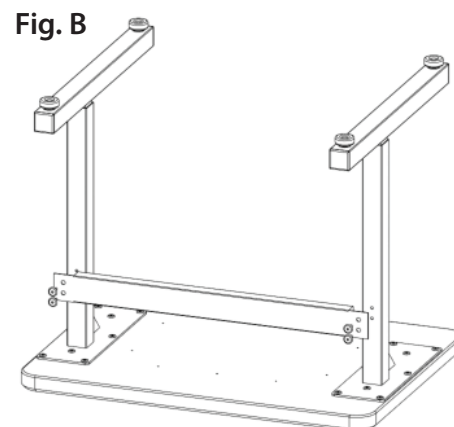
1 Place desktop face down on protected surface so threaded inserts are facing up.

2 Align legs with inserts. Drilling is offset 1" closer to the back edge.

3 Connect legs to top with (16) #10-24x1" joint connector bolts. **DO NOT FULLY TIGHTEN.** Fig. A



4 Attach connector bar to legs using (4) 1/4-20x15mm joint connector bolts. The bar should rest inside the legs. Fig. B



5 Tighten leg and connector bar fasteners and flip desk over, adjust leg height and glides as needed.

If optional accessories was ordered continue to page 2.

UNE-T Desk

with 2" Dual Wheel Locking Casters or 2.5" Grand Hank Glides

Assembly Instructions for Optional Accessories

Before you begin, please make sure all parts and proper quantities are included. Any parts damaged during shipment must be reported within 5 days of receipt. To report information regarding damages or if you have any questions, please call 800.242.2303.

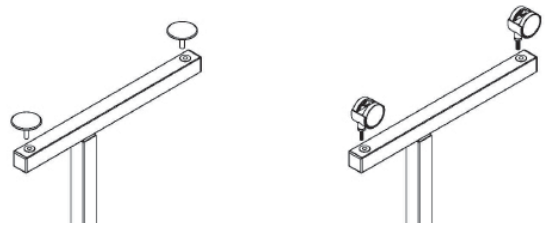
Tools Required

- 1/2" Wrench

Parts List: (per desk)

- (4) 2" Dual Wheel Locking Casters
or
• (4) 2.5" Grand Hank Glides

- 1** Remove Nylon glide from leg by rotating counterclockwise until glide is free.
- 2** Place stem of optional footing into the hole on the leg. Rotate clockwise until fully inserted into leg.
- 3** Tighten with a 1/2" Wrench. (for Dual Wheel Caster only)
- 4** Repeat for each caster/glide.



UNE-T Desk

with Steel Book Box

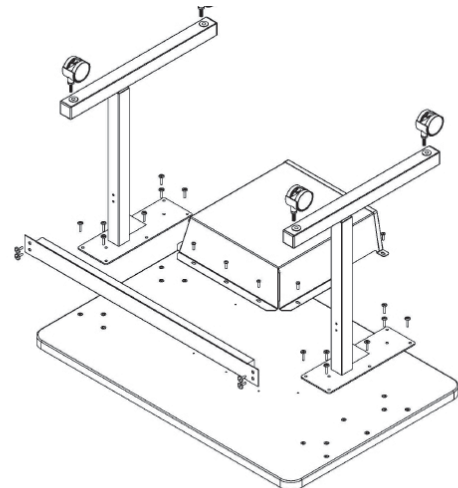
Tools Required

- Screw Gun
- # R2 Square Bit

Parts List: (per desk)

- (1) Steel Book Box
- #10 3/4" Square Pan Screws

- 1** Place desktop face down on protected surface so threaded inserts are facing up.
- 2** With legs installed, align tabs of the steel book box with the pre-drilled pilot holes.
- 3** Use #10 screws to fasten each of the tabs of the steel book box to the desktop.



Assembly Instructions for Clear View Tote Tray

Before you begin, please make sure all parts and proper quantities are included. Any parts damaged during shipment must be reported within 5 days of receipt. To report information regarding damages or if you have any questions, please call 800.242.2303.

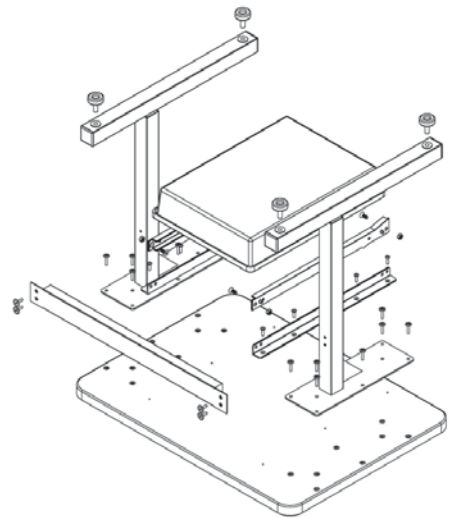
Tools Required

- Screw Gun
- 3mm Drill Bit

Parts List: (per desk)

- (2) Mounting Brackets
- (2) Clear Plastic Runners
- (1) 3" Deep Clear View Tote Tray
- (4) 1/4-20x5/8" Flat Head Cap Screws
- (4) 1/4-20 Hex Nuts
- #10 3/4" Square Pan Screws
- Rubber Washers

- 1** Connect the plastic runner to the mounting bracket by inserting the runner's tabs through the mounting bracket.
- 2** Bolt both ends of the plastic runner to the mounting bracket with a 1/4-20x5/8" flat head cap screw and 1/4-20 hex nut. Complete for both the left and right rails.
- 3** Identify the appropriate pilot holes by aligning the mounting brackets on the desktop. The mounting bracket will align with the pre-drilled pilot holes.
- 4** Use number 10 screws to fasten the mounting brackets to the desktop. If tote rails go over the leg plates, use provided rubber washers.



Parts List



Grand Hank Glide



Dual Wheel Locking Caster



#10 3/4" Square Pan Screw



1/4-20x5/8 Flat Head Cap Screw



Mounting Brackets



1/4-20x15mm Joint Connector Bolt



16-10-24x1" Joint Connector Bolt



1/4-20 Hex Nut



Rubber Washer



Clear Plastic Runners