

### Lotz Armor Edge™ Tops:

Lotz Armor Edge™ top is constructed of 1.125" thick MDF (medium density fiberboard) core. MDF is a superior material for screw holding abilities exceeding 250 lbs., breaking strength and load tests. The back material is phenolic which **prevents moisture penetration** to core material and provides an anti gum surface. High pressure laminate is bonded to the MDF core. The .25" beveled radius edge is finished using our exclusive Lotz Armor Edge™, a polyurea, which is extremely strong and durable. **This edge will not separate from the MDF core material and makes the edge water tight.** Armor Edge comes black standard. Colors available.



### 3mm Tops:

The core material is 1.125" thick particle board with a phenolic backer sheet and high pressure laminate on top. 3mm PVC edge banding is applied to all four sides, radius corners.



Optional top surface choices include **whiteboard laminate** and most Wilsonart matte (-60) finish laminates with possible upcharges. Other vendors available upon request.

**Shipping Class:** 70  
**NMFC:** 83640



Wire Basket (-LW) (optional)



Full Color tote tray (optional) (can interchange with tote storage unit) (See catalog for color selection)



Glide & Tilt® tote tray storage (optional) (can be interchanged with Tote Storage Unit) (-TB)



Steel book box (-LB) (optional)



2.5" Grand Hank Glide (optional) (-HG)



Adjustable leg insert with 2 tamper resistant screws



Spanner bars available in multiple lengths



Dual wheel locking casters (optional) (-CA)



Adjustable leg insert with 2 tamper resistant screws

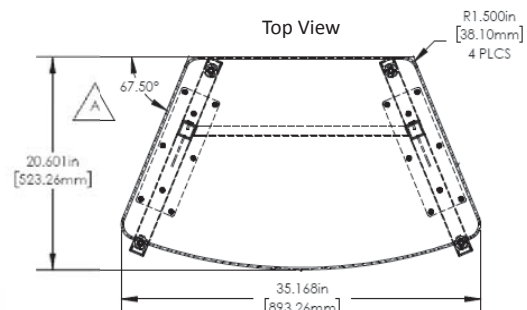


Spanner bars available in multiple lengths



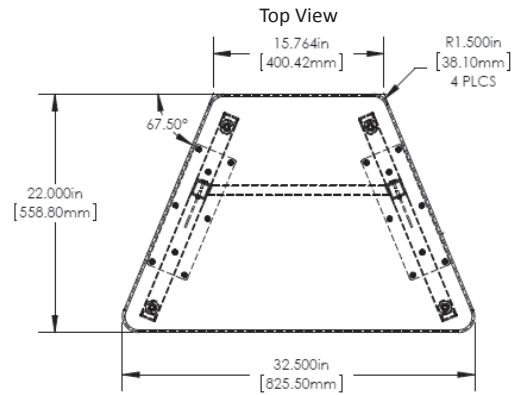
Dual wheel locking casters (optional) (-CA)

## UNE-T Ocho Desk



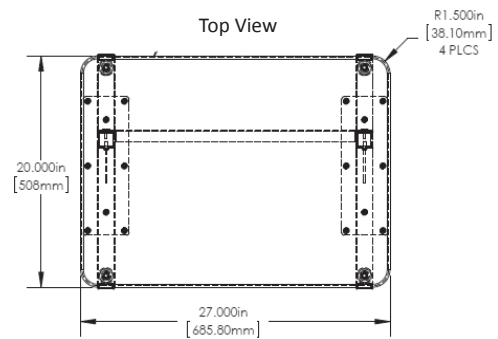
AE Top	3mm Top	Description	Top DxL	Desk H
UNE7500-ADJ	UNE6500-ADJ	UNE-T Ocho	21" x 35"	22.25"-31.25"

## UNE-T Connect 8 Desk



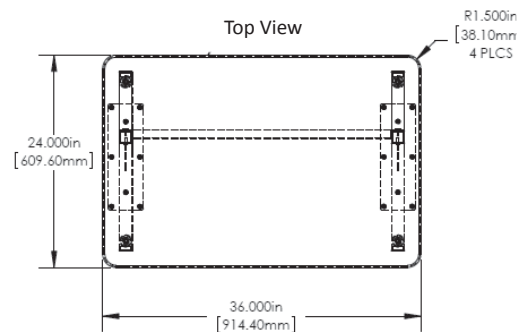
<i>AE Top</i>	<i>3mm Top</i>	<i>Description</i>	<i>Top DxL</i>	<i>Desk H</i>
UNE7215-ADJ	UNE6215-ADJ	UNE-T Connect 8	22" x 32.5"	22.25"-31.25"

## UNE-T Plymouath Desk\*



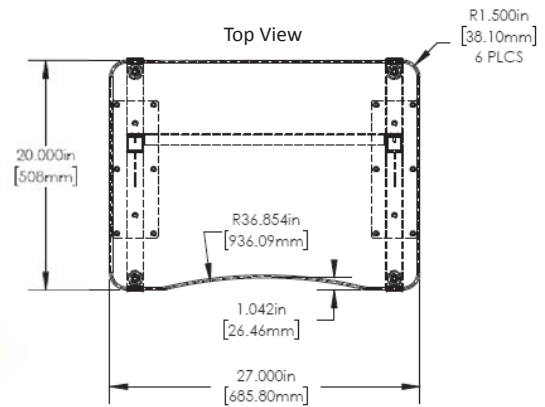
<i>AE Top</i>	<i>3mm Top</i>	<i>Description</i>	<i>Top DxL</i>	<i>Desk H</i>
UNE7362-ADJ	UNE6362-ADJ	UNE-T Plymouath	20" x 27"	22.25"-31.25"
UNE7064-ADJ	UNE6064-ADJ	UNE-T Plymouath	20" x 36"	22.25"-31.25"
UNE7145-ADJ	UNE6145-ADJ	UNE-T Plymouath	24" x 27"	22.25"-31.25"

## UNE-T Plymouath XL Desk



<i>AE Top</i>	<i>3mm Top</i>	<i>Description</i>	<i>Top DxL</i>	<i>Desk H</i>
UNE7067-ADJ	UNE6067ADJ	UNE-T Plymouath XL	24" x 36"	22.25"-31.25"

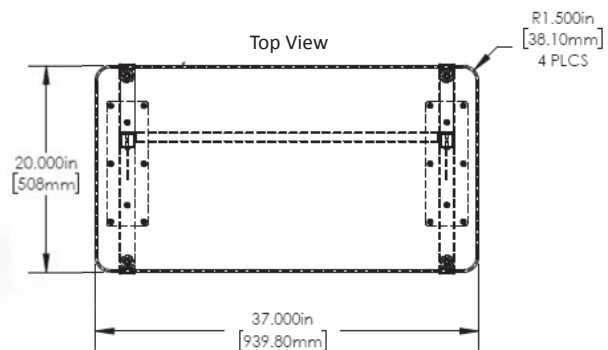
## UNE-T Plymouth II Desk\*



<i>AE Top</i>	<i>3mm Top</i>	<i>Description</i>	<i>Top DxL</i>	<i>Desk H</i>
UNE7363-ADJ	UNE6363-ADJ	UNE-T Plymouth II	20" x 27"	22.25"-31.25"

\*Also available as a Stand Up Desk, please See WB Mfg UNE-T Stand Up Desk Specifications.

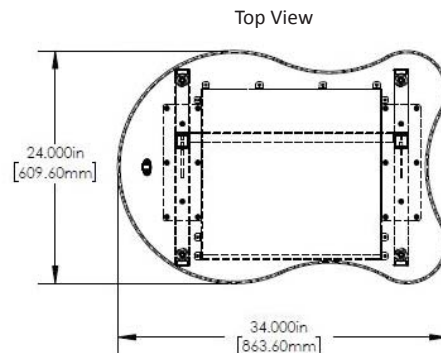
## UNE-T ADA Desk\*\*



<i>AE Top</i>	<i>3mm Top</i>	<i>Description</i>	<i>Top DxL</i>	<i>Desk H</i>
UNE7142-ADJ	UNE6142-ADJ	UNE-T ADA	20" x 37"	22.25"-31.25"

\*\*UNE-T ADA Compliant Desks: UNE7142 and UNE6142 ONLY

## UNE-T Adapt Desk



<i>AE Top</i>	<i>3mmTop</i>	<i>Description</i>	<i>Top DxL</i>	<i>Desk H</i>
UNE7610-ADJ	UNE6610-ADJ	UNE-T Adapt	24" x 34"	22.25"-31.25"