



## Assembly Instructions

### Tools Required

- 4mm Allen Wrench
- Screw Gun
- 5/32" Hex Bit

### Parts List: (per desk)

- (16) Joint Connector Bolts 10-24x1"
- (4) Joint Connector Bolts 1/4-20x15mm
- (4) M6 1X14 Screws
- (4) Star Washers
- (1) Connector Bar
- (4) 2.5" Grand Hank Glides
- (1) Footrest
- (1) UNE-T Desktop
- (2) UNE-T Legs

Before you begin, please make sure all parts and proper quantities are included. Any parts damaged during shipment must be reported within 5 days of receipt. To report information regarding damages or if you have any questions, please call 800.242.2303.

**1** Place desktop face down on protected surface so threaded inserts are facing up.

**2** Connect legs to top with (16) #10x24x1" joint connector bolts. DO NOT FULLY TIGHTEN.

**3** Attach connector bar to legs using (4) 1/4"x20x15mm joint connector bolts. DO NOT FULLY TIGHTEN.

**4** Attach foot rest bar to legs using M6 - 1x14 screws and star washers. DO NOT FULLY TIGHTEN.

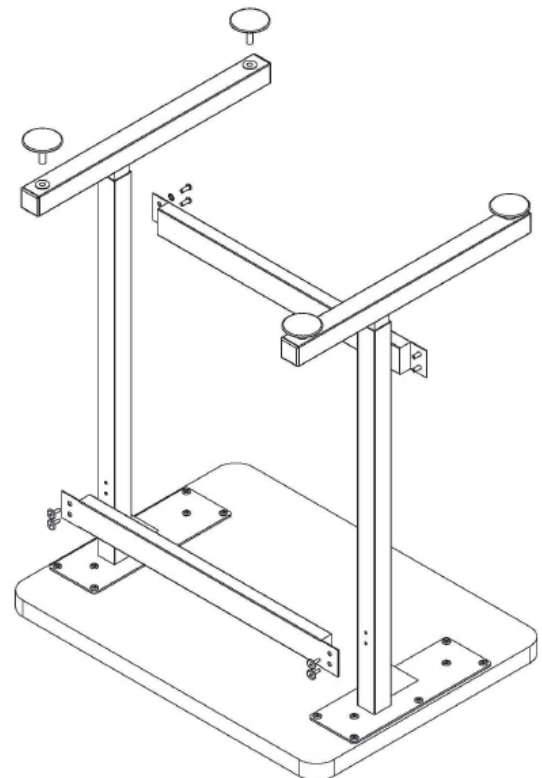
**5** Fully Tighten leg, footrest and connector bar fasteners.

**6** Remove Nylon glide from leg by rotating counterclockwise until glide is free.

**7** Place stem of Grand Hank Glide into the hole on the leg. Rotate clockwise until fully inserted into leg.

**8** Repeat for each leg.

**9** Flip desk over, adjust leg height and glides as needed.



# UNE-T Stand Up Desk with 2" Dual Wheel Locking Casters

## Assembly Instructions for Optional Accessories

Before you begin, please make sure all parts and proper quantities are included. Any parts damaged during shipment must be reported within 5 days of receipt. To report information regarding damages or if you have any questions, please call 800.242.2303.

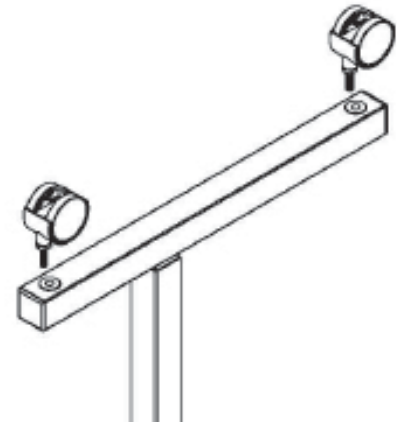
### Tools Required

- 1/2" Wrench

### Parts List: (per desk)

- (4) 2" Dual Wheel Locking Casters

- 1** Remove Nylon glide from leg by rotating counterclockwise until glide is free.
- 2** Place stem of Dual Wheel Locking Caster into the hole on the leg. Rotate clockwise until fully inserted into leg.
- 3** Tighten with a 1/2" Wrench.
- 4** Repeat for each leg.



# UNE-T Stand Up Desk with Steel Book Box

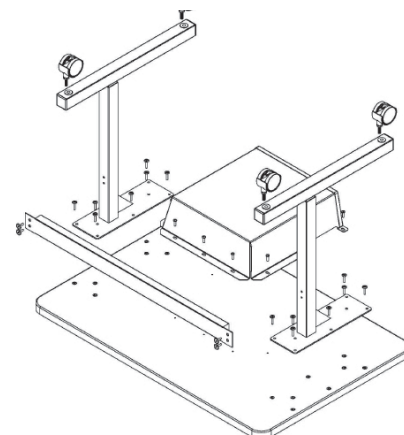
### Tools Required

- Screw Gun
- # R2 Square Bit

### Parts List: (per desk)

- (1) Steel Book Box
- (10) # 10 Screws

- 1** Place desktop face down on protected surface so threaded inserts are facing up.
- 2** Align steel book box with the pre-drilled pilot holes.
- 3** Use #10 screws to fasten the steel book box to the desktop.



## Hardware List



**Grand Hank Glide**



**M6 Screw**



**Dual Wheel Locking Caster**



**Star Washer**



**#10 3/4" Square  
Pan Screw**



**1/4-20x15mm  
Joint Connector Bolt**



**10-24x1"  
Joint Connector Bolt**