

# Hardwood Locker Bench specifications

## Specifications:

**Thickness:** 1.25" (standard)  
**Species:** Mixed hardwood (standard), oak, maple  
**Widths:** 9.5", 12", 15", 18" and 24";  
**Lengths:** up to 12' in one-piece  
**Rail Width:** .75" - .9375" (nominal) to 1.75" width  
**Rail Construction:** Finger joint  
**Finish:** Two-coat clear catalyzed lacquer top/sides; 1 bottom  
**Edge Profile:** Radius edge on all sides and corners  
**Dimensional Tolerance:** +/- .125"

## Appearance:

Natural variations do occur in the appearance of natural wood, of which it is these distinguishing features that creates the natural beauty of this product. These variations are subject to occur on all or some of the wood products based on environmental factors affecting the tree before harvesting and include character markings such as grain variation in color, various growth rings and tight knots among other naturally occurring defects. All variations are of a natural source, while all other manufacturing defects have been removed and should not detract from the function.

## General Care & Maintenance:

Allow top to reach ambient room temperature prior to installation. It may take forty-eight (48) hours for the top to acclimate to the surrounding environment.

Holes in framework used to secure the top to frame must be 3/8" larger than the bolt or fastener. Pre-drill pilot holes for lag screw fasteners and only tighten the fastener slightly as the top needs to be able to expand and contract.

If final mounting requires cutting the top, then all exposed raw wood surfaces must be resealed. Polyurethane is an excellent sealer for lacquered tops. Tops and benches sent without a finish and tops that are modified in the field voids the warranty.

Lacquered benches should avoid excess amounts of water, oil and strong cleaning agents. The bench should be immediately wiped clean when the surface has been exposed to such excesses.

When necessary, reseal any exposed raw wood surfaces to avoid expansion and swelling caused by water and humidity.

Locker bench seats can be affected by the temperature and humidity of the surrounding environment.

## Catalyzed Lacquer Test Results:

CHEMICAL	RATING
1) SULFURIC ACID 25%	5
2) SULFURIC ACID 50%	5
3) ACETIC ACID 50%	4
4) ACETIC ACID 75%	4
5) PHOSPHORIC ACID 50%	5
6) PHOSPHORIC ACID 75%	5
7) HYDROCHLORIC ACID 20%	5
8) HYDROCHLORIC ACID 37%	4
9) BUTYL ALCOHOL	5
10) ETHYL ALCOHOL	5
11) METHYL ALCOHOL	5
12) ETHYL ACETATE	2
13) METHYL ETHYL KETONE	1
14) TOLUENE	5
15) ACETONE	1
16) NAPHTHA	5
17) XYLENE	5
18) SODIUM HYPOCHLORITE 5.25%	5
19) SODIUM HYDROXIDE 25%	5
20) SODIUM HYDROXIDE 35%	5
21) SODIUM HYDROXIDE 40%	5
22) SODIUM HYDROXIDE 50%	5
23) POTASSIUM HYDROXIDE 40%	5
24) POTASSIUM HYDROXIDE 45%	5
25) HYDROGEN PEROXIDE 30%	5
26) NITRIC ACID 25%	5

Test prepared by Sheboygan Paint Co 1/2009

5=No Effect  
 4=Slight Stain  
 3=Modest Stain  
 2=Modest Stain, Film Blistered  
 1=Film Damage

## Fastener and Pilot Hole Chart:

SCREW SIZE #	PILOT HARD WOOD
4	1/16"
6	5/64"
8	3/32"
10	7/64"
12	1/8"



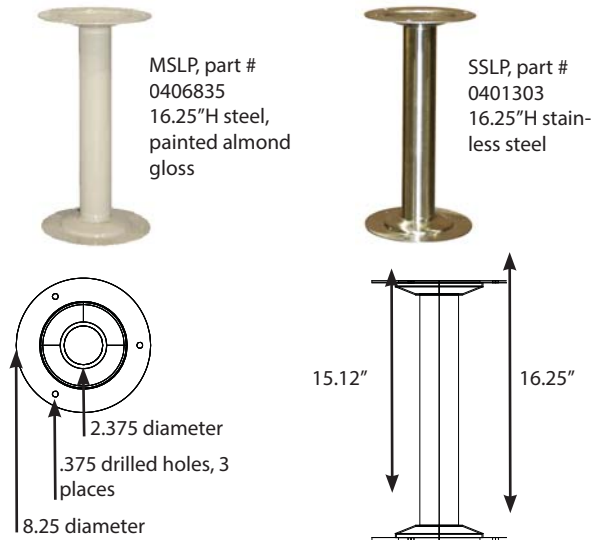
# Bench Pedestals specifications

## Pedestal Specifications:

**Diameter:** 2.375"  
**Finishes:** 14-gauge T201 stainless steel, 16-gauge Q235B steel painted with almond gloss finish  
**Pedestal Height:** 16.25"  
**Parts Bag:** Hex head lag screw, zinc .25" x 1" long, qty 12  
**Span Recommendation:** 4 foot maximum span between pedestals  
**Packaging:** 2 legs with hardware per box; sold individually



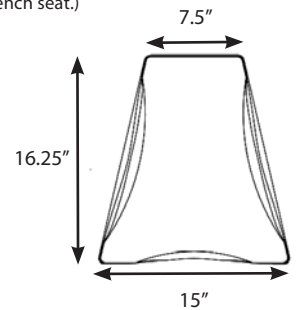
Part # 09060  
16.25"H stainless steel



## Trapezoid Specifications:

**Diameter:** 2.375"  
**Finishes:** 16-gauge T201 stainless steel or 16-gauge steel painted almond gloss  
**Pedestal Height:** 16.25"  
**Parts Bag:** Hex head lag screw, zinc .25" x 1" long, qty 12  
**Span Recommendation:** 4 foot maximum span between pedestals  
**Packaging:** 2 legs with hardware per box; sold individually

(This pedestal is recommended for benches 12"D or 18"D; otherwise, the base of the pedestal is significantly wider than a 9.5"D bench seat.)



## U- Shaped Pedestal Specifications:

**Diameter:** 1.5" round  
**Finishes:** 16-gauge painted black steel with 14-gauge support bracket  
**Pedestal Height:** 17"H with 1-3/8" nylon glide; overall 18-1/4"H assembled  
**Span Recommendation:** 4 foot maximum span between pedestals; 96" bench ships with 3 pedestals  
**Packaging:** Sold as 48", 60", 72", 96"L kit with 12", 15" and 18"W hardwood locker room bench



## Wall Mount Brackets:

**Materials:** 1.5"W x .125" steel bracket or 12-gauge #4 stainless steel with reversible design; 3" x 3" notch for wall cleat or wire run clearance  
**Finishes:** Almond (-A) Powder Coated; Black (-B) Powder Coated; Stainless Steel (-SS)  
**Span Recommendation:** 4 ft max span between brackets  
**Packaging:** Sold as pair with 2 brackets per package; wall fasteners are not included

BKT0508 (-A or -B)  
Required for 9.5" or 12" Bench

BKT1218 (-A or -B or -SS)  
Required for 20"D ADA Bench

BKT1521 (-A or -B)  
Required for 24"D ADA Bench

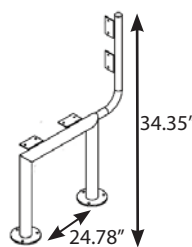
BKT1521 (-SS)  
Required for 24"D ADA Bench

BKT0812 (-A or -B)  
Required for 15"D Bench



## ADA Bench Frame Specifications:

**Legs:** 2" - 14 gauge tubing with .25" steel plates  
**Backrest Frame:** 1.25" - 14 gauge tubing with 10 gauge steel plates  
**Finishes:** Almond or stainless steel(201)  
**Height:** Pedestal is 34.35" and 18"H seating height which includes a 1.25" faced-glued hardwood strips  
**Span Requirement:** In order to be ADA compliant, the space between the bench back and seat CAN NOT exceed 2".  
**Packaging:** 2 legs with hardware per box; sold individually



**NOTE:** Hardware to mount pedestals and brackets to the floor or wall are required but not included as the substrate is unknown.

# Hardwood Locker Bench specifications

## Hardwood Locker Bench Seats

9.5" Depth	12" Depth	*15" Depth	18" Depth	24" Depth	Seat Length
LBS9H024	LBS12024	LBS15024	LBS18024	LBS24024	24"
LBS9H036	LBS12036	LBS15036	LBS18036	LBS24025	36"
LBS9H042	LBS12042	LBS15042	LBS18042	LBS24042	42"
LBS9H048	LBS12048	LBS15048	LBS18048	LBS24048	48"
LBS9H060	LBS12060	LBS15060	LBS18060	LBS24060	60"
LBS9H072	LBS12072	LBS15072	LBS18072	LBS24072	72"
LBS9H084	LBS12084	LBS15084	LBS18084	LBS24084	84"
LBS9H096	LBS12096	LBS15096	LBS18096	LBS24096	96"
LBS9H108	LBS12108	LBS15108	LBS18108	LBS24108	108"
LBS9H120	LBS12120	LBS15120	LBS18120	LBS24120	120"
LBS9H132	LBS12132	LBS15132	LBS18132	LBS24132	132"
LBS9H144	LBS12144	LBS15144	LBS18144	LBS24144	144"

\*15" depth seats have custom pricing. Note: Hardwood locker benches are not recommended for areas with high moisture content.

## Hardwood Locker Bench Kits (Seats w/ Pedestals)

Almond	Stainless	Description	Wgt.	DxL
LBSMP9H048	LBSMP9H048SS	HW Seat w/ 2 Pedl.*	32	9.5" x 48"
LBSMP9H060	LBSMP9H060SS	HW Seat w/ 2 Pedl.*	36	9.5" x 60"
LBSMP9H072	LBSMP9H072SS	HW Seat w/ 2 Pedl.*	41	9.5" x 72"
LBSMP9H096	LBSMP9H096SS	HW Seat w/ 3 Pedl.*	56	9.5" x 96"
LBSMP12048	LBSMP12048SS	HW Seat w/ 2 Pedl.*	39	12" x 48"
LBSMP12060	LBSMP12060SS	HW Seat w/ 2 Pedl.*	44	12" x 60"
LBSMP12072	LBSMP12072SS	HW Seat w/ 2 Pedl.*	49	12" x 72"
LBSMP12096	LBSMP12096SS	HW Seat w/ 3 Pedl.*	66	12" x 96"

## Portable Hardwood Locker Benches

Model#	Description	Wgt.	DxL
LBSMP12048U	HW Seat w/ 2 Blk U Legs, Glides**	34	12" x 48"
LBSMP12060U	HW Seat w/ 2 Blk U Legs, Glides**	39	12" x 60"
LBSMP12072U	HW Seat w/ 2 Blk U Legs, Glides**	44	12" x 72"
LBSMP12096U	HW Seat w/ 3 Blk U Legs, Glides**	61	12" x 96"
LBSMP15048U	HW Seat w/ 2 Blk U Legs, Glides**	39	15" x 48"
LBSMP15060U	HW Seat w/ 2 Blk U Legs, Glides**	45	15" x 60"
LBSMP15072U	HW Seat w/ 2 Blk U Legs, Glides**	52	15" x 72"
LBSMP15096U	HW Seat w/ 3 Blk U Legs, Glides**	71	15" x 96"
LBSMP18048U	HW Seat w/ 2 Blk U Legs, Glides**	44	18" x 48"
LBSMP18060U	HW Seat w/ 2 Blk U Legs, Glides**	52	18" x 60"
LBSMP18072U	HW Seat w/ 2 Blk U Legs, Glides**	59	18" x 72"
LBSMP18096U	HW Seat w/ 3 Blk U Legs, Glides**	81	18" x 96"

LBSMP12072U, LBSMP15072U, LBSMP18072U units include stretcher bar

\*Seats are pre-drilled and include hardware to attach bench to pedestal.

\*\*Seats are pre-drilled and include hardware to attach bench to legs.

NOTE: Hardware to attach pedestals to floor is not included.

## ADA Hardwood Locker Bench Seats

20" Depth	24" Depth	Seat Length
LBS20042	LBS24042	42"
LBS20048	LBS24048	48"



Meets ADA design

## ADA Locker Bench Seat Kits (w/Backs & Pedestals Welded to Frame)



Meets ADA design

Almond	Stainless	Description	Wgt.	DxL
LBSADA2042	LBSADA2042SS	ADA Kit with Back*	85	20" x 42"
LBSADA2048	LBSADA2048SS	ADA Kit with Back*	92	20" x 48"
LBSADA2060	LBSADA2060SS	ADA Kit with Back*	109	20" x 60"
LBSADA2072	LBSADA2072SS	ADA Kit with Back*	140	20" x 72"
LBSADA2442	LBSADA2442SS	ADA Kit with Back*	91	24" x 42"
LBSADA2448	LBSADA2448SS	ADA Kit with Back*	100	24" x 48"
LBSADA2460	LBSADA2460SS	ADA Kit with Back*	118	24" x 60"
LBSADA2472	LBSADA2472SS	ADA Kit with Back*	150	24" x 72"

\* 2 pieces

LBSADA2072 and LBSADA2472 units have 3 frames

