

Kidney Activity Tables

specifications

Lotz Armor Edge™ Tops:

The core material is 1.125" thick MDF (medium density fiberboard). MDF is a superior material for screw holding abilities exceeding 250 lbs., breaking strength and load tests. The backer material is phenolic which prevents moisture penetration to core material. High pressure laminate is bonded to the MDF core.

The edge material is WB Manufacturing's Lotz Armor Edge™, a polyurea, which is extremely strong and durable. This edge will not separate from the MDF core material. The Lotz Armor Edge™ has a Shore D ASTM D 2240 hardness rating of 50 and is resistant to chemicals and abrasions which extends the service life.

Top surface choice of most Wilsonart matte (-60) finish laminates, white board laminate or chemical resistant laminate.

3mm Tops:

The core material is 1.125" thick particle board with a phenolic backer sheet and high pressure laminate on top. 3mm edge banding is applied to all four sides, radius corners.

Worksurface Thickness:

1.25"

Overall Table Height:

ALS Leg: Adjustable from 23.5" to 33.5"

JRALS Leg: Adjustable from 18.75 to 24.75"

Shipping Class: 70

NMFC#: 83620-2

Legs:

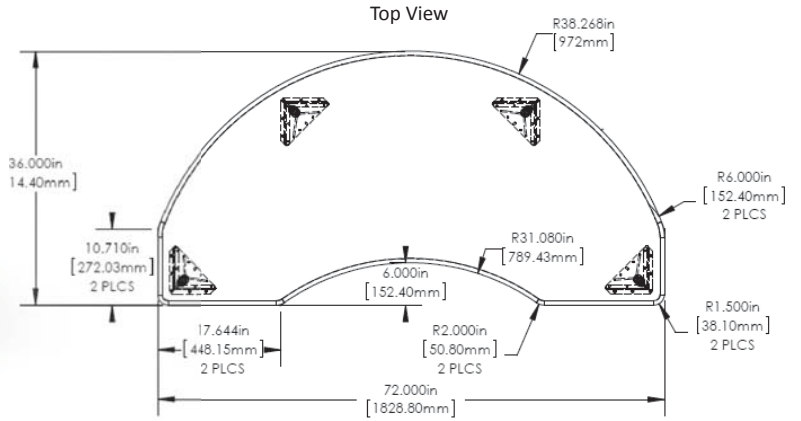
Tables are factory equipped with quick mounting leg plate that accepts the triangular leg plates welded on each leg for easy field assembly. The legs are 14-gauge, heavy duty steel tubes with a textured black upper segment and an adjustable chrome leg insert that can adjust in 1" increments and is 18 gauge steel. The adjustment screws are tamper resistant. The button head socket cap screws are directly threaded into the lower section for greater safety. The legs are attached to the mounting plate with the supplied screws into the pre-drilled holes. The legs come with non-marring glides. Activity tables can also be outfitted with junior legs.

Model #	Adjustability	Wgt
ALS	22.25 - 32.25"	10
JRALS	17.5 - 23.5"	10

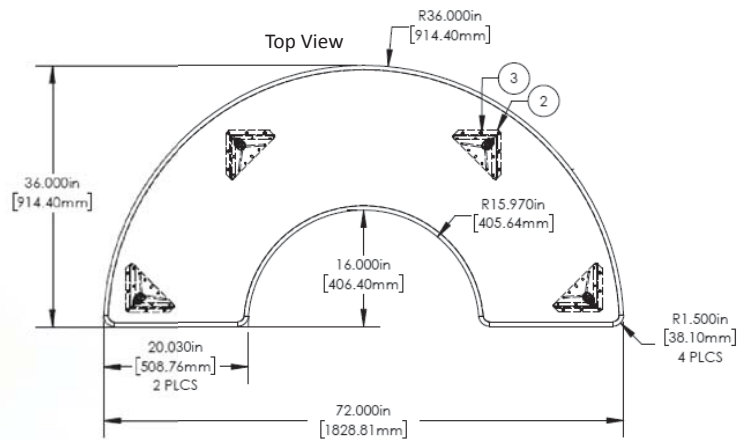
Quick mount leg plates ensure easy assembly of the 14-gauge steel and chrome adjustable legs.



Kidney Activity Tables specifications

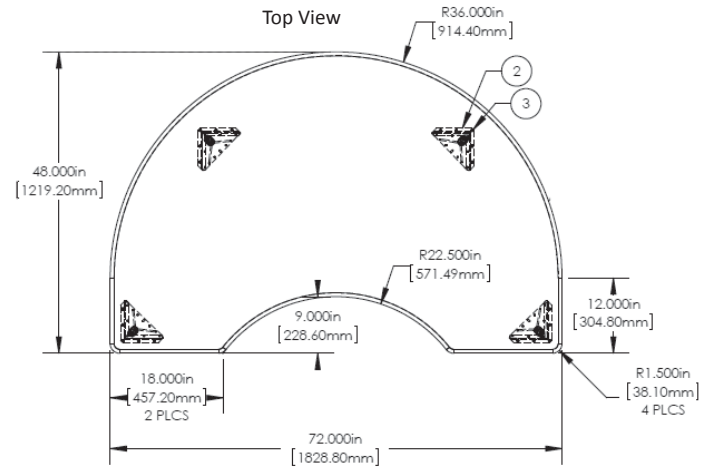


<i>Lotz AE™ Top</i>	<i>3mm Top</i>	<i>Top DxL</i>	<i>Table H.</i>
ACT7223-ALS	ACT6223-ALS	36" x 72"	23.5"-33.5"

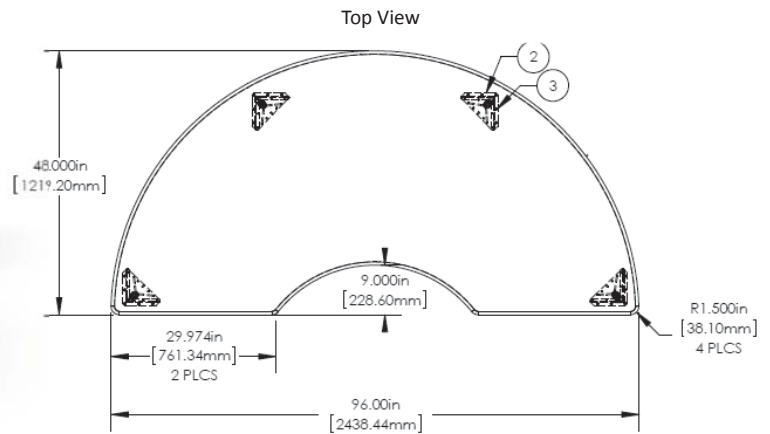


<i>Lotz AE™ Top</i>	<i>3mm Top</i>	<i>Top DxL</i>	<i>Table H.</i>
ACT7225-ALS	ACT6225-ALS	36" x 72"	23.5"-33.5"

Kidney Activity Tables specifications



<i>Lotz AE™ Top</i>	<i>3mm Top</i>	<i>Top DxL</i>	<i>Table H.</i>
ACT7220-ALS	ACT6220-ALS	48" x 72"	23.5"-33.5"



<i>Lotz AE™ Top</i>	<i>3mm Top</i>	<i>Top DxL</i>	<i>Table H.</i>
ACT7221-ALS	ACT6221-ALS	48" x 96"	23.5"-33.5"