

Lotz Armor Edge™ Tops:

Lotz Armor Edge™ top is constructed of 1.125" thick MDF (medium density fiberboard) core. MDF is a superior material for screw holding abilities exceeding 250 lbs., breaking strength and load tests. The back material is phenolic which **prevents moisture penetration** to core material and provides an anti gum surface. High pressure laminate is bonded to the **MDF core**. The .25" beveled radius edge is finished using our exclusive Lotz Armor Edge™, a polyurea, which is extremely strong and durable. **This edge will not separate from the MDF core material and makes the edge water tight.** Lotz Armor Edge™ comes black standard. Colors available.



3mm Tops:

The core material is 1.125" thick particle board with a phenolic backer sheet and high pressure laminate on top. 3mm PVC edge banding is applied to all sides, radius corners.



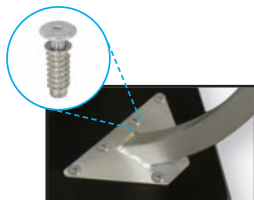
Optional top surface choices include **whiteboard laminate or chemical resistant laminate** and most Wilsonart matte (-60) finish laminates with possible up charges. Other vendors available upon request.

Shipping Class: 70
NMFC#: 83620-2

Standard Options:



Adjustable legs adjust in 1" increments with tamper resistant screws



Legs positioned at widest point of desk for stability and attached via threaded metal inserts and screws



Pin adjustable legs adjust in 1" increments



1.375" Nylon Glide

Legs:

Legs are positioned at the widest point of the table to improve stability and to provide more knee clearance. The adj. legs are constructed from your choices of the 1.25" Square, 2" Curved Round, 2" Straight Round or the 2" Straight Round Pin. All choices are 14-gauge tubular steel with a powder-coated smooth silver (-G4, standard) or textured black finish* (-09). The legs are fully welded to a triangular 12-gauge mounting plate and are secured to the top with six metal-to-metal threaded inserts and .25"-20x15mm joint connector bolts (included). Threaded, case-hardened, self-leveling 1" adjustable nylon glides finish the leg.

1.25" Square Adj. Leg (ELO)

Leg Hgt. Identifier	Leg Height	Table Height
-ADJ	24.75"-29.75"	26"-31"
-EJA (Jr. leg)	20"-25"	21.25"-26.25"
-ADJSU (StandUp leg)	32.25"-42.25"	33.5"-43.5"

2" Curved Round Adj. Leg (ELR)

Leg Hgt. Identifier	Leg Height	Table Height
-ADJ	25"-30"	26.25"-31.25"
-EJA (Jr. leg)	21"-26"	22.25"-27.25"

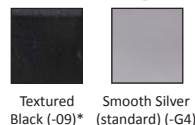
2" Straight Round Adj. Leg (ELS)

Leg Hgt. Identifier	Leg Height	Table Height
-ADJ	27"-40"	28.25"-41.25"
-EJA (Jr. leg)	20"-33"	21.25-34.25"

2" Straight Round Pin Adj. Leg (ELP)*

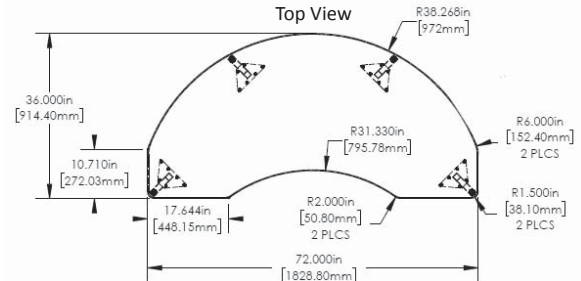
Leg Hgt. Identifier	Leg Height	Table Height
-ADJ	25"-39"	26.25"-40.25"
-EJA (Jr. leg)	19"-29"	20.25-30.25"

Frame Color Options:

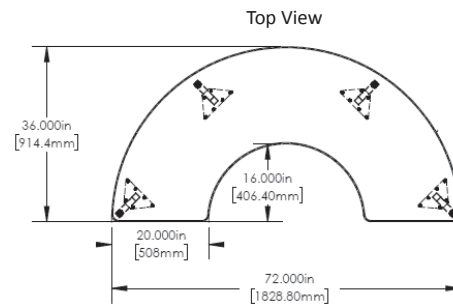


*Textured Black not available in the Pin Adj. Leg.





Lotz AE™ Top	3mm Top	Description	Top DxD	Table H
ELO7223-ADJ	ELO6223-ADJ	4 Square Adj. Legs	36" x 72"	26"-31"
ELO7223-EJA	ELO6223-EJA	4 Square Jr. Adj. Legs	36" x 72"	21.25"-26.25"
ELR7223-ADJ	ELR6223-ADJ	4 Curved Round Adj. Legs	36" x 72"	26.25"-31.25"
ELR7223-EJA	ELR6223-EJA	4 Jr. Curved Round Adj. Legs	36" x 72"	22.25"-27.25"
ELS7223-ADJ	ELS6223-ADJ	4 Straight Round Adj. Legs	36" x 72"	28.25"-41.25"
ELS7223-EJA	ELS6223-EJA	4 Jr. Straight Round Adj. Legs	36" x 72"	21.25"-34.25"
ELP7223-ADJ	ELP6223-ADJ	4 Straight Round Pin Adj. Legs	36" x 72"	26.25"-40.25"
ELP7223-EJA	ELP6223-EJA	4 Jr. Straight Round Pin Adj. Legs	36" x 72"	20.25"-30.25"

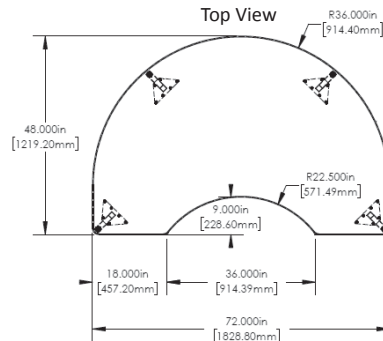


Lotz AE™ Top	3mm Top	Description	Top DxD	Table H
ELO7225-ADJ	ELO6225-ADJ	4 Square Adj. Legs	36" x 72"	26"-31"
ELO7225-EJA	ELO6225-EJA	4 Square Jr. Adj. Legs	36" x 72"	21.25"-26.25"
ELR7225-ADJ	ELR6225-ADJ	4 Curved Round Adj. Legs	36" x 72"	26.25"-31.25"
ELR7225-EJA	ELR6225-EJA	4 Jr. Curved Round Adj. Legs	36" x 72"	22.25"-27.25"
ELS7225-ADJ	ELS6225-ADJ	4 Straight Round Adj. Legs	36" x 72"	28.25"-41.25"
ELS7225-EJA	ELS6225-EJA	4 Jr. Straight Round Adj. Legs	36" x 72"	21.25"-34.25"
ELP7225-ADJ	ELP6225-ADJ	4 Straight Round Pin Adj. Legs	36" x 72"	26.25"-40.25"
ELP7225-EJA	ELP6225-EJA	4 Jr. Straight Round Pin Adj. Legs	36" x 72"	20.25"-30.25"

ELO® Kidney Tables specifications cont.



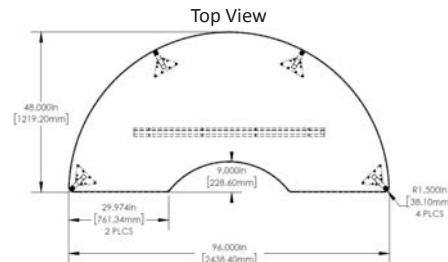
ELO6220-ADJ



<i>Lotz AE™ Top</i>	<i>3mm Top</i>	<i>Description</i>	<i>Top DxL</i>	<i>Table H</i>
ELO7220-ADJ	ELO6220-ADJ	4 Square Adj. Legs	48" x 72"	26"-31"
ELO7220-EJA	ELO6220-EJA	4 Square Jr. Adj. Legs	48" x 72"	21.25"-26.25"
ELR7220-ADJ	ELR6220-ADJ	4 Curved Round Adj. Legs	48" x 72"	26.25"-31.25"
ELR7220-EJA	ELR6220-EJA	4 Jr. Curved Round Adj. Legs	48" x 72"	22.25"-27.25"
ELS7220-ADJ	ELS6220-ADJ	4 Straight Round Adj. Legs	48" x 72"	28.25"-41.25"
ELS7220-EJA	ELS6220-EJA	4 Jr. Straight Round Adj. Legs	48" x 72"	21.25"-34.25"
ELP7220-ADJ	ELP6220-ADJ	4 Straight Round Pin Adj. Legs	48" x 72"	26.25"-40.25"
ELP7220-EJA	ELP6220-EJA	4 Jr. Straight Round Pin Adj. Legs	48" x 72"	20.25"-30.25"



ELO6221-ADJ



<i>Lotz AE™ Top</i>	<i>3mm Top</i>	<i>Description</i>	<i>Top DxL</i>	<i>Table H</i>
ELO7221-ADJ	ELO6221-ADJ	4 Square Adj. Legs	48" x 96"	26"-31"
ELO7221-EJA	ELO6221-EJA	4 Square Jr. Adj. Legs	48" x 96"	21.25"-26.25"
ELR7221-ADJ	ELR6221-ADJ	4 Curved Round Adj. Legs	48" x 96"	26.25"-31.25"
ELR7221-EJA	ELR6221-EJA	4 Jr. Curved Round Adj. Legs	48" x 96"	22.25"-27.25"
ELS7221-ADJ	ELS6221-ADJ	4 Straight Round Adj. Legs	48" x 96"	28.25"-41.25"
ELS7221-EJA	ELS6221-EJA	4 Jr. Straight Round Adj. Legs	48" x 96"	21.25"-34.25"
ELP7221-ADJ	ELP6221-ADJ	4 Straight Round Pin Adj. Legs	48" x 96"	26.25"-40.25"
ELP7221-EJA	ELP6221-EJA	4 Jr. Straight Round Pin Adj. Legs	48" x 96"	20.25"-30.25"

Optional Features:



Dual wheel locking casters (-CA)



2.5" Grand Hank Glide (-HG)



Backpack hook



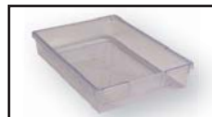
(optional)



Wire Basket (-LW)



Steel book box (-LB)



Clear View tote tray (can interchange with tote storage unit) (-TB)



Full Color tote tray (can interchange with tote storage unit) (See catalog for color selection)